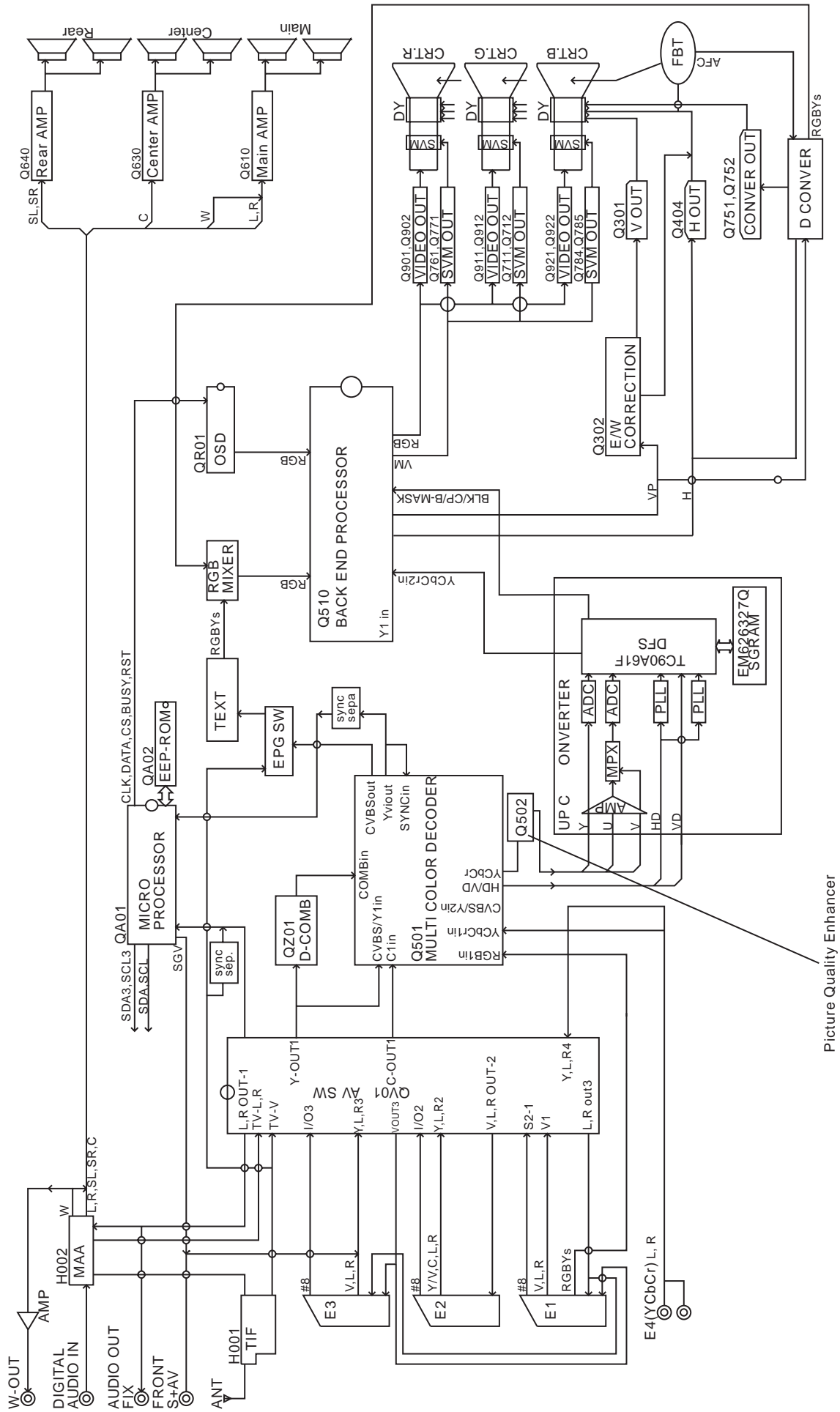


CIRCUIT BLOCK DIAGRAM



Picture Quality Enhancer

A

B

C

D

E

F

A

B

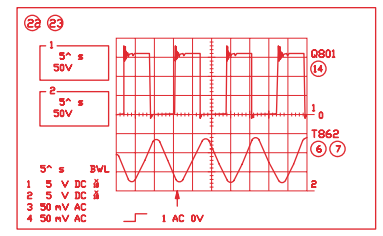
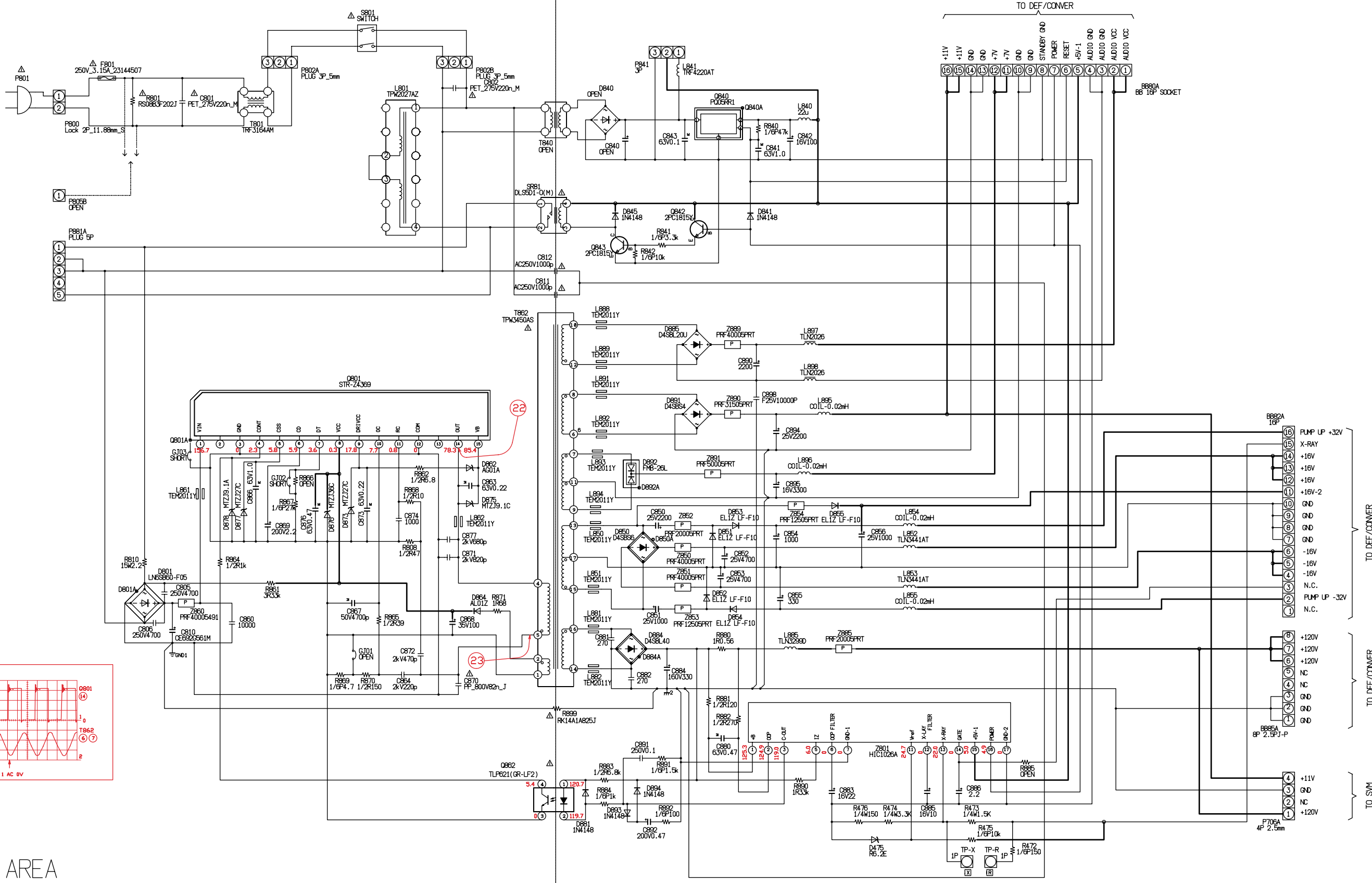
C

D

E

F

1 2 3 4 5 6 7 8



MAIN POWER
42/50/57WT29B

1 2 3 4 5 6 7 8

1 2 3 4

A

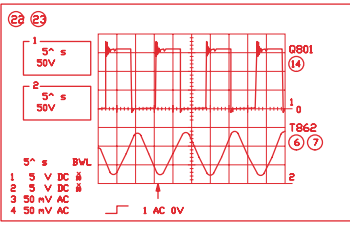
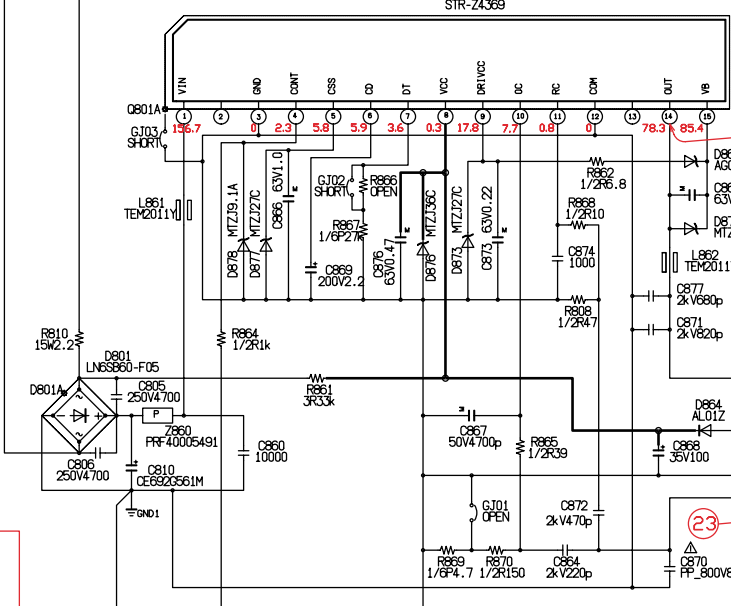
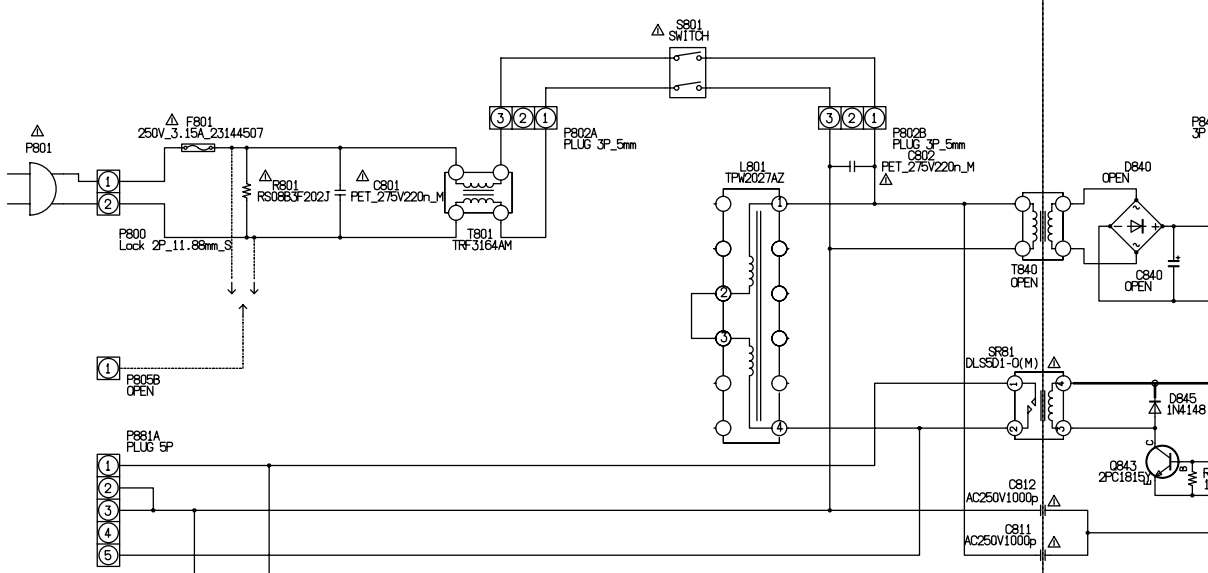
B

C

D

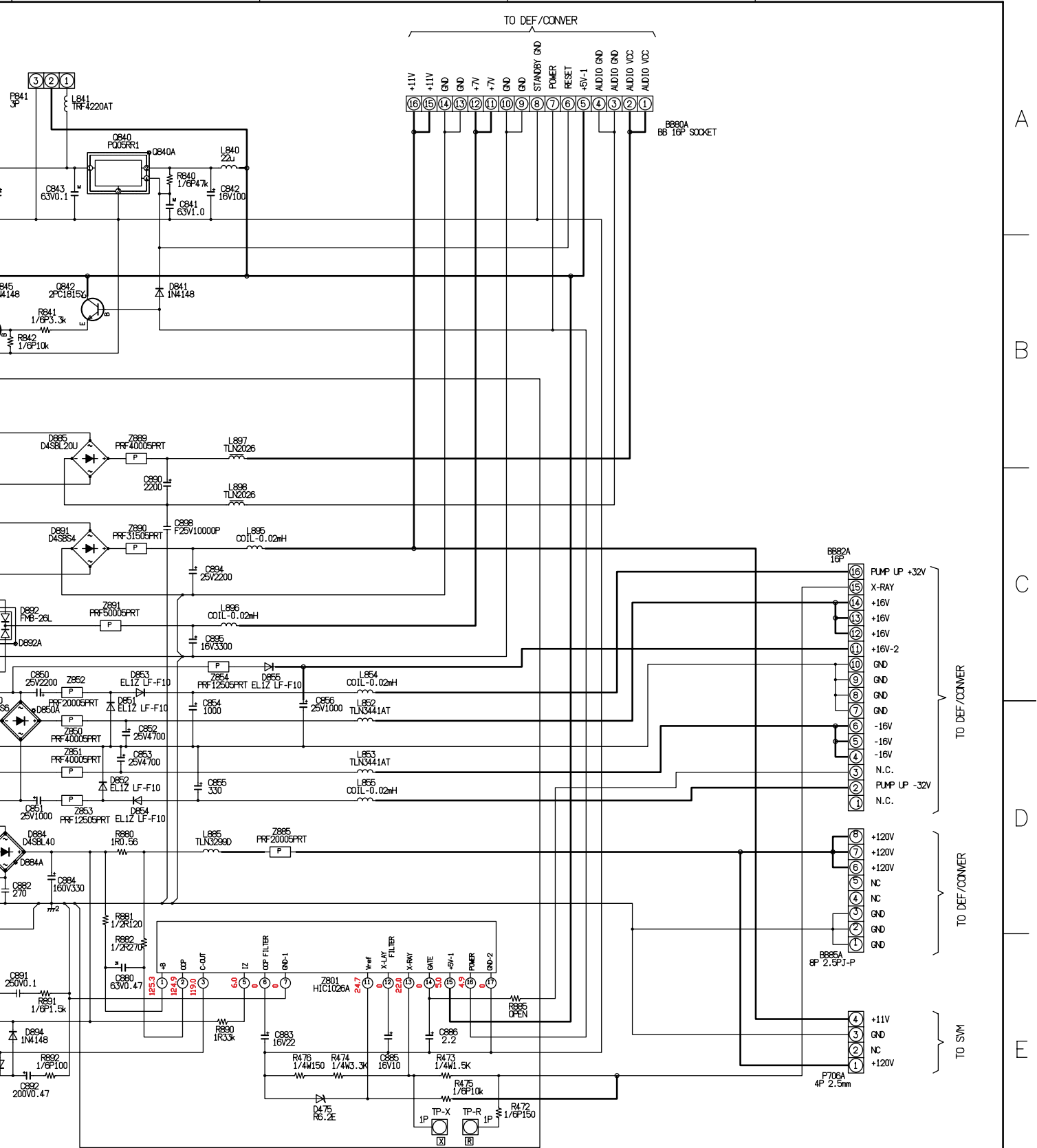
E

F



LIVE AREA

1 2 3 4



A

B

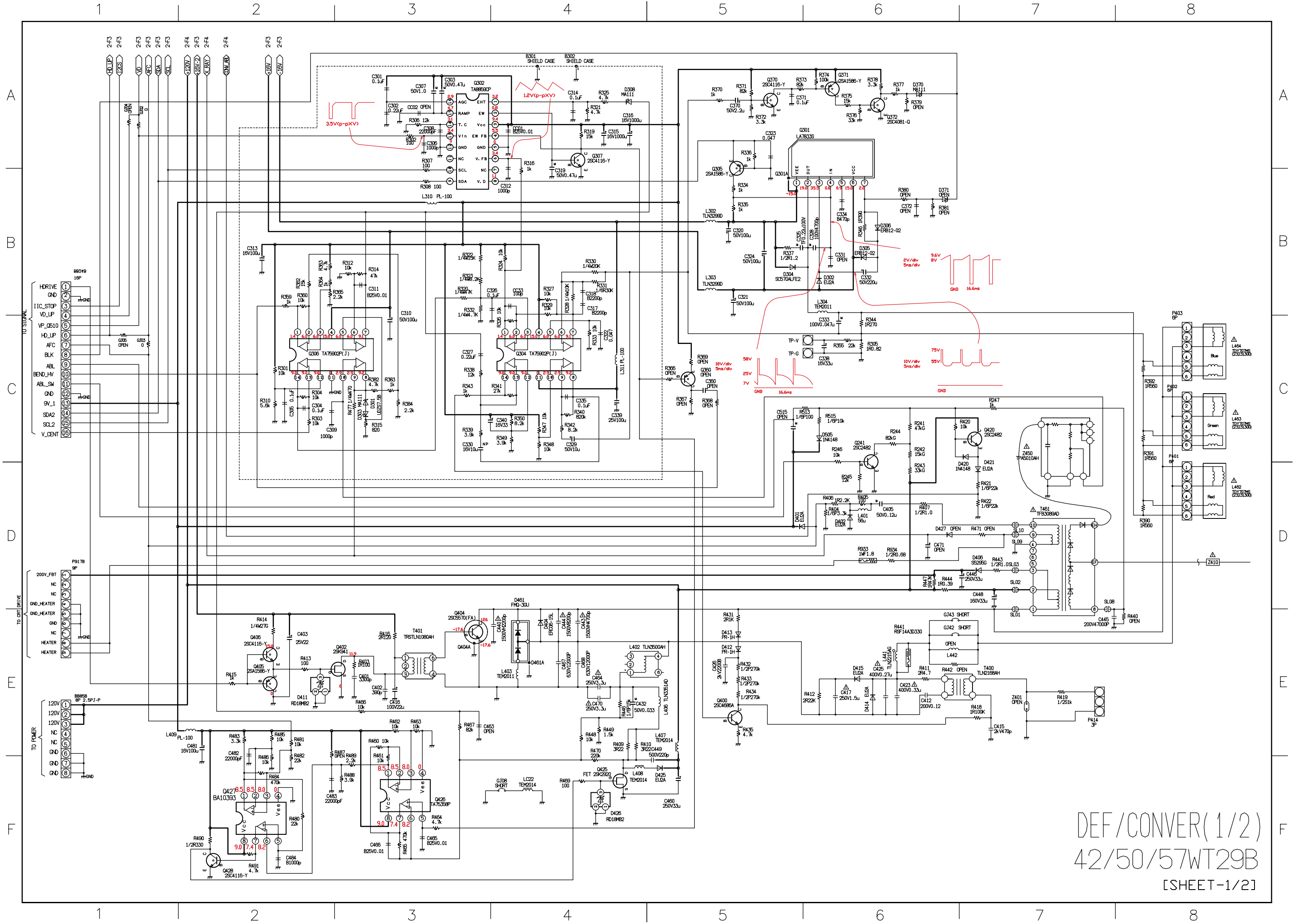
C

D

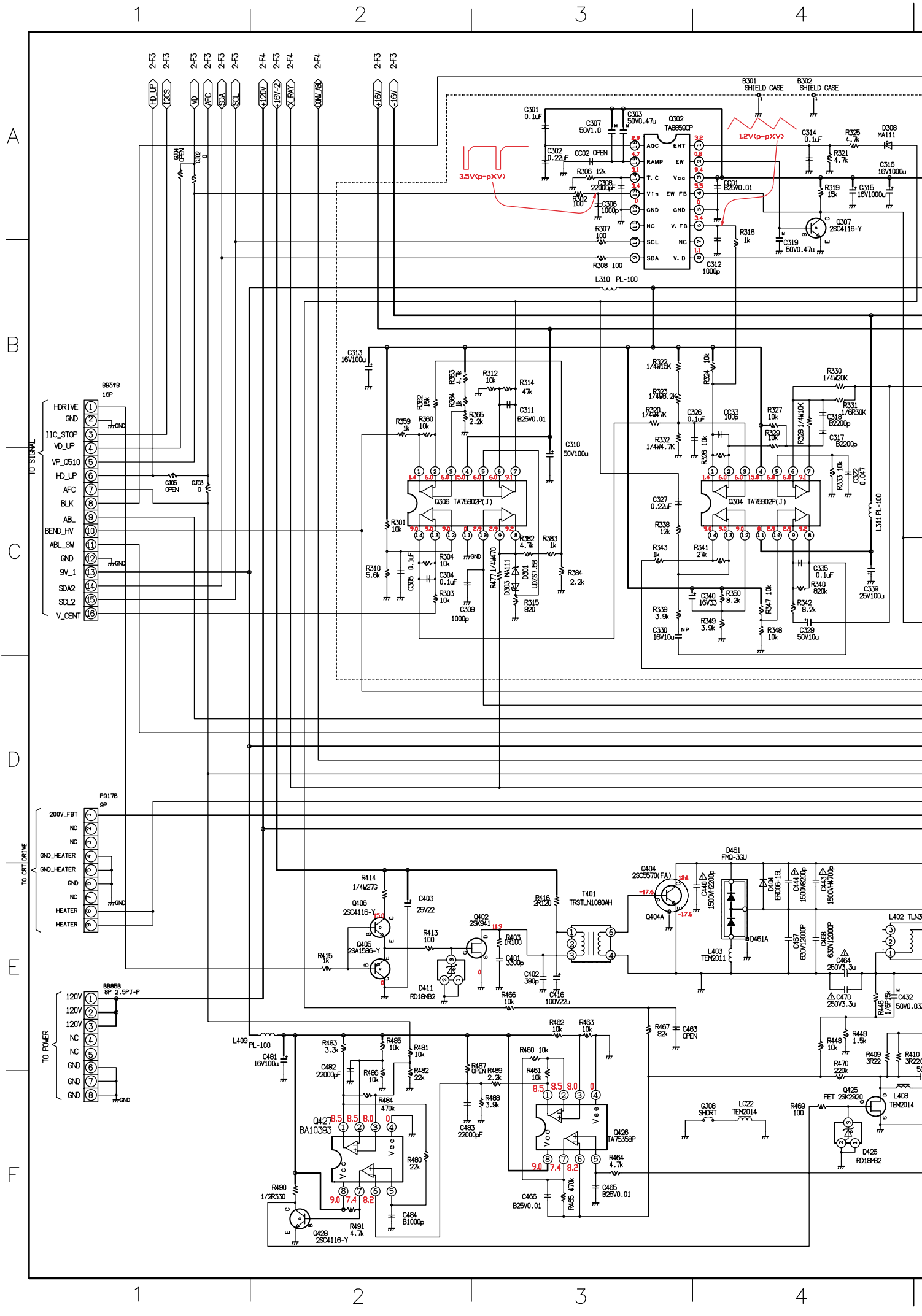
E

F

MAIN POWER
42/50/57WT29B



DEF/CONVER(1/2)
 42/50/57WT29B
 [SHEET-1/2]



1

2

3

4

A

B

C

D

E

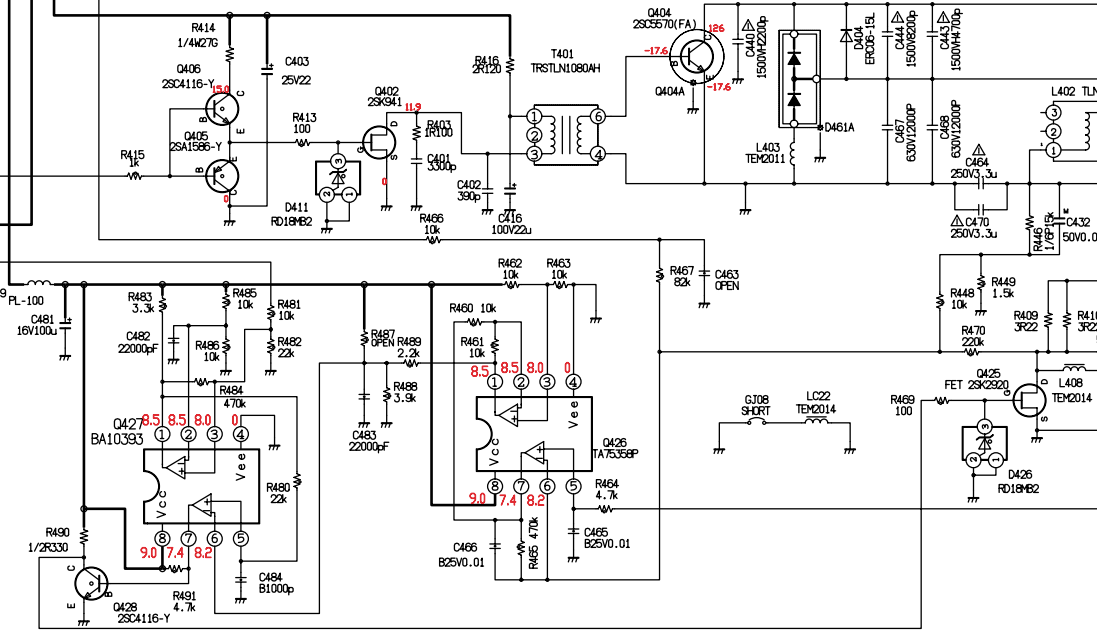
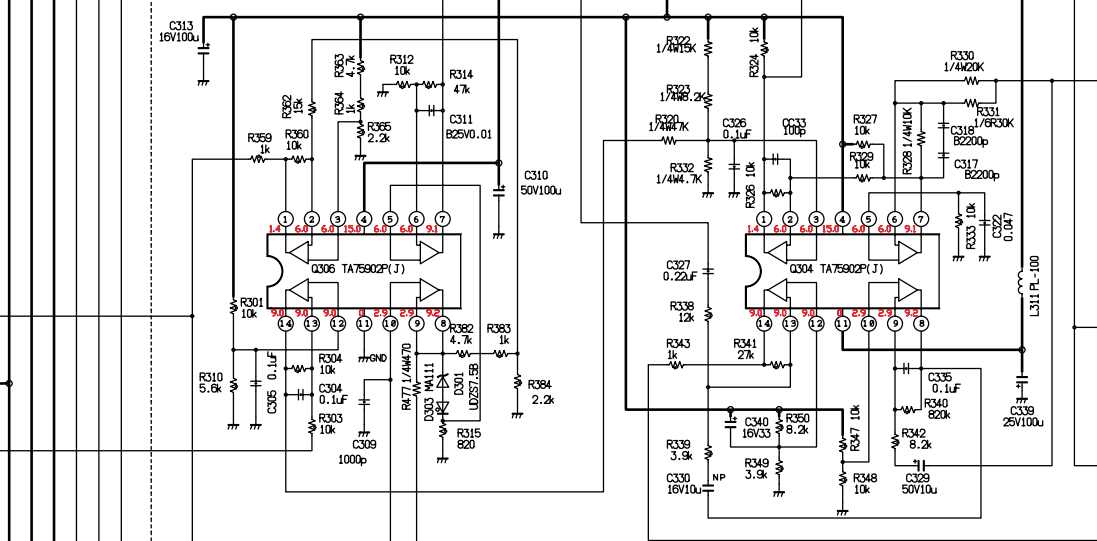
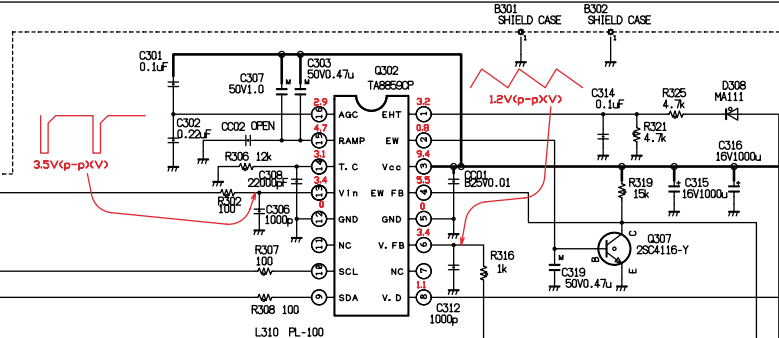
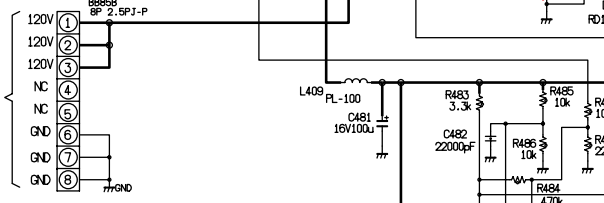
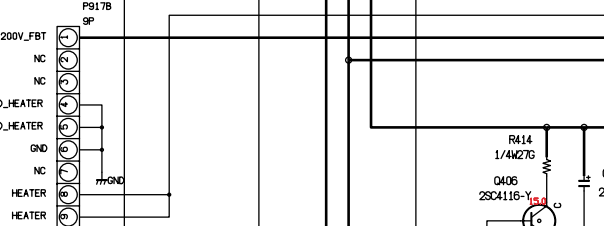
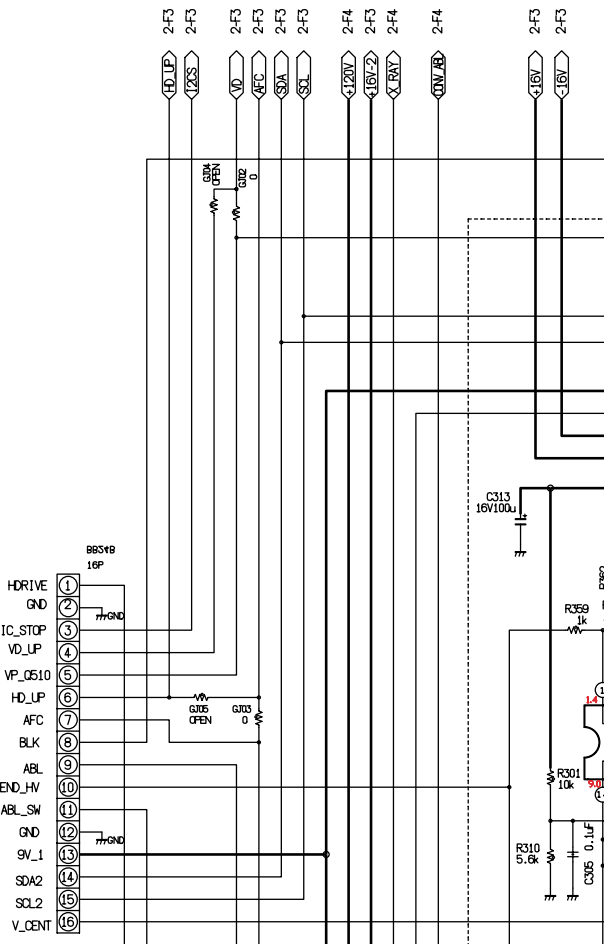
F

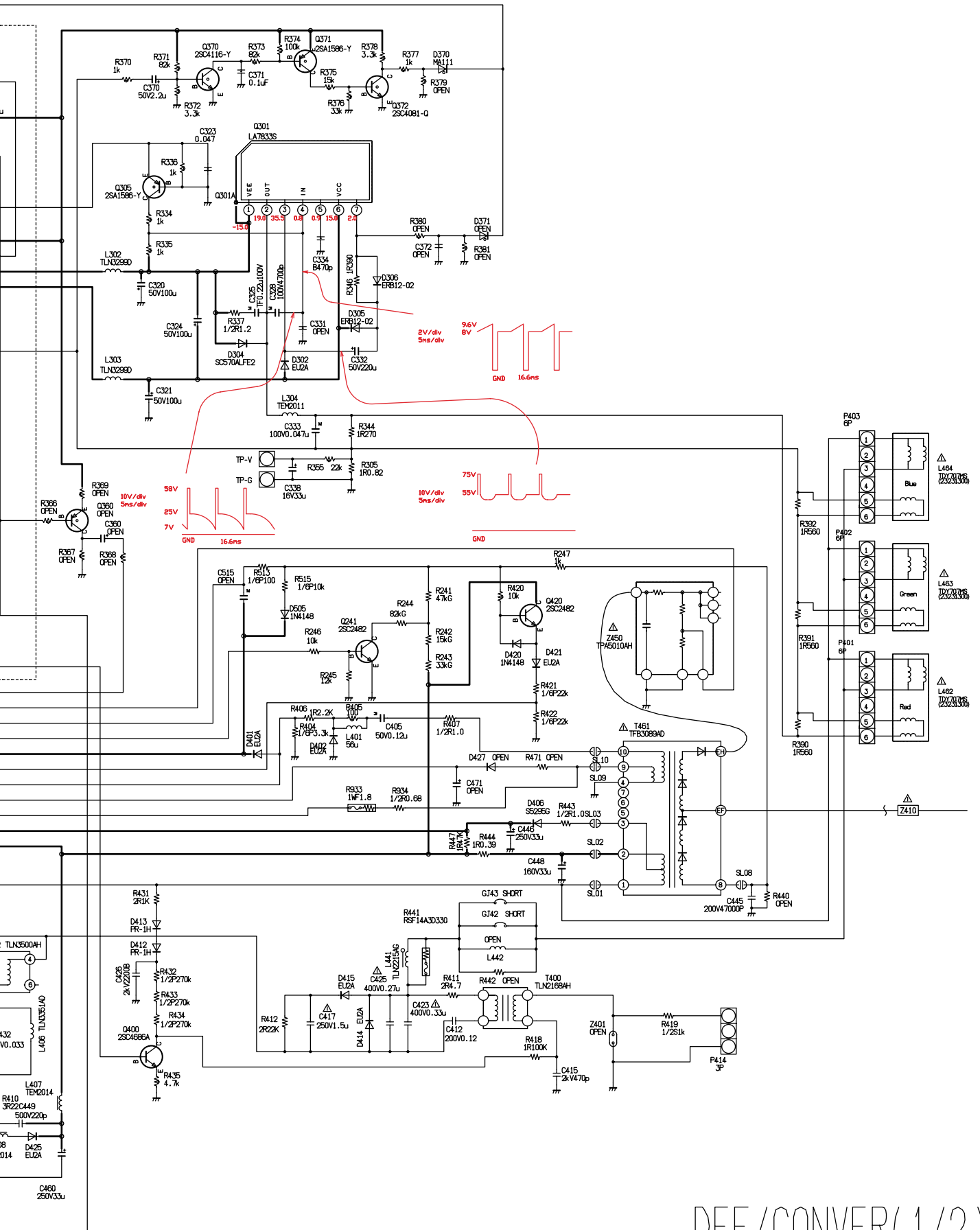
1

2

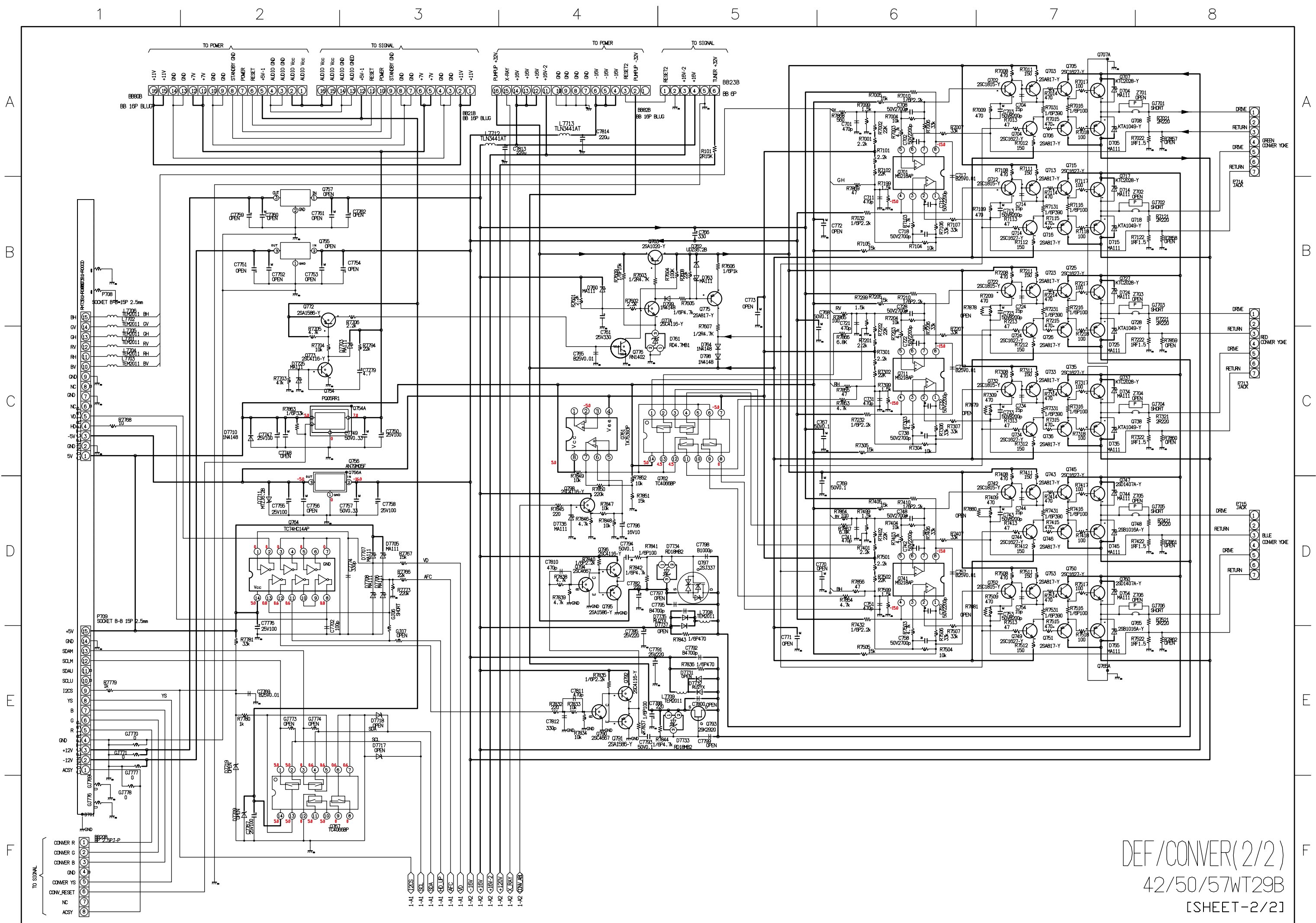
3

4

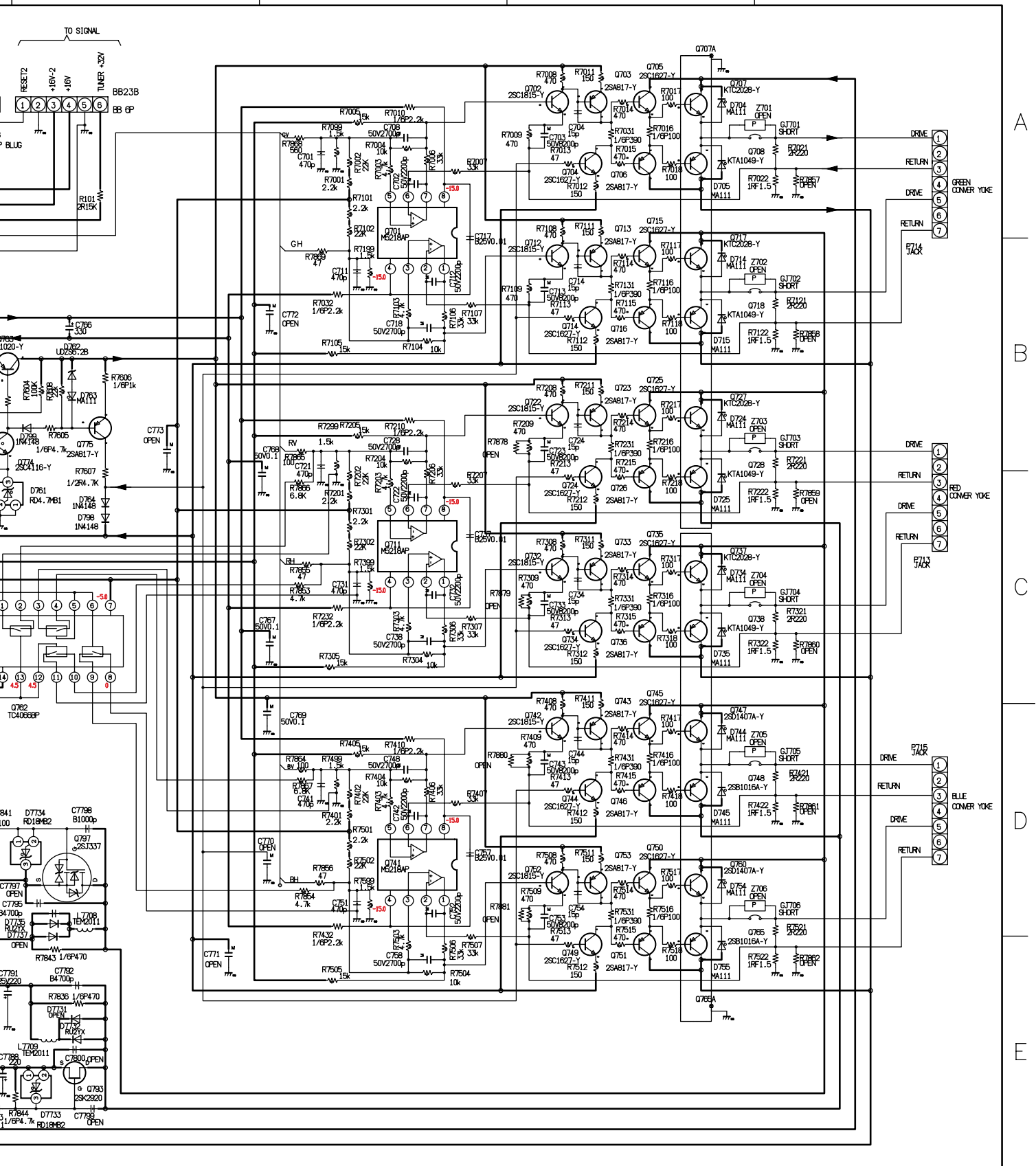




DEF/CONVER(1/2)
 42/50/57WT29B
 [SHEET-1/2]



DEF/CONVER(2/2)
42/50/57WT29B
[SHEET-2/2]



A

B

C

D

E

F

DEF/CONVER(2/2)
 42/50/57WT29B
 [SHEET-2/2]

A

B

C

D

E

F

A

B

C

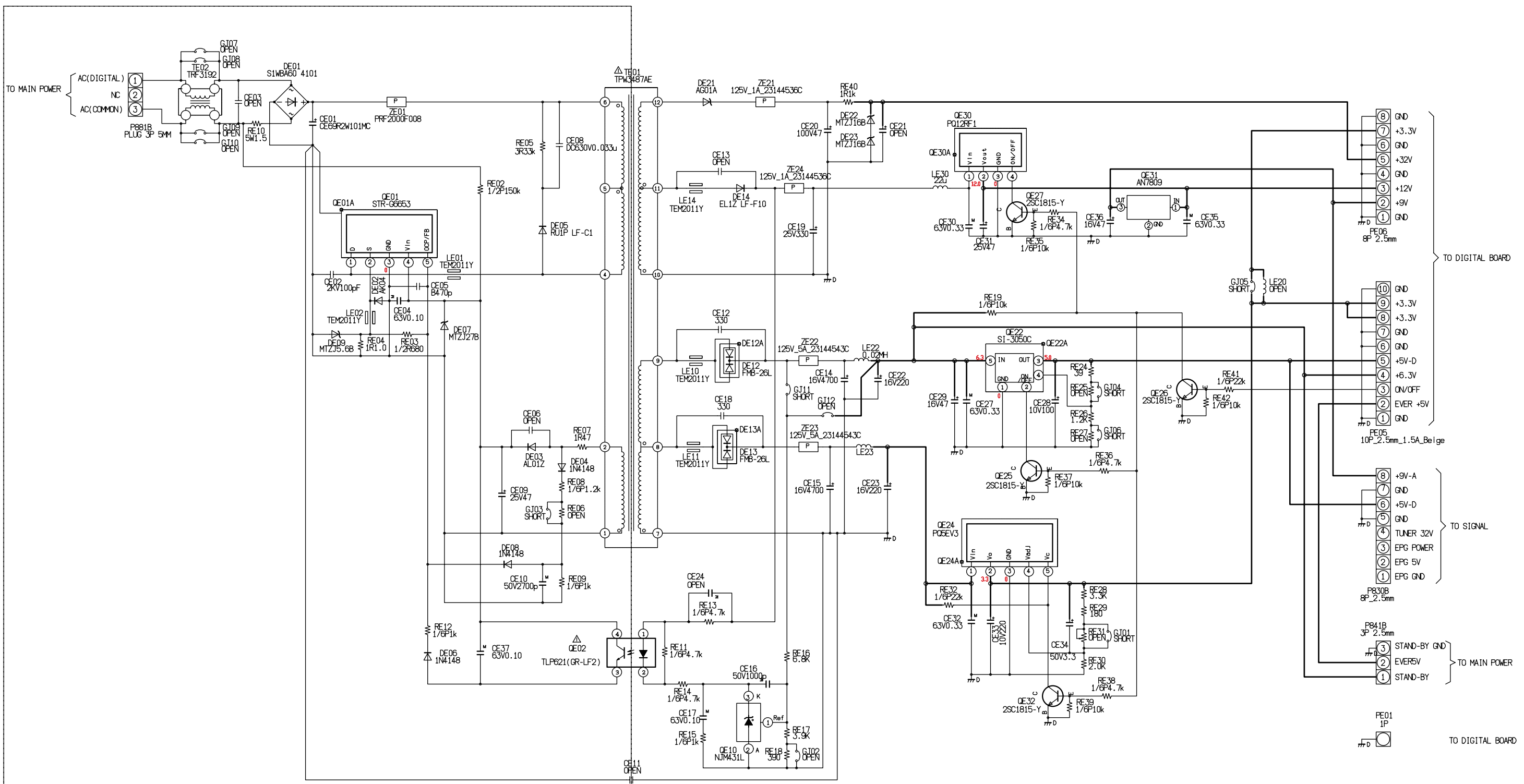
D

E

F

1 2 3 4 5 6 7 8

1 2 3 4 5 6 7 8



LIVE AREA

DIGITAL POWER
42/50/57WT29B

TO DIGITAL BOARD

- ⑧ GND
- ⑦ +3.3V
- ⑥ GND
- ⑤ +32V
- ④ GND
- ③ +12V
- ② +9V
- ① GND

FE06
8P 2.5mm

TO DIGITAL BOARD

- ⑩ GND
- ⑨ +3.3V
- ⑧ +3.3V
- ⑦ GND
- ⑥ +5V-D
- ⑤ +6.3V
- ④ ON/OFF
- ③ EVER +5V
- ② GND
- ① GND

FE05
10P 2.5mm 1.5A_Belge

TO SIGNAL

- ⑧ +9V-A
- ⑦ GND
- ⑥ +5V-D
- ⑤ GND
- ④ TUNER 32V
- ③ EPG POWER
- ② EPG 5V
- ① EPG GND

P830B
8P 2.5mm

TO MAIN POWER

- ③ STAND-BY GND
- ② EVERSV
- ① STAND-BY

P841B
3P 2.5mm

TO DIGITAL BOARD

FE01
1P

1

2

3

4

A

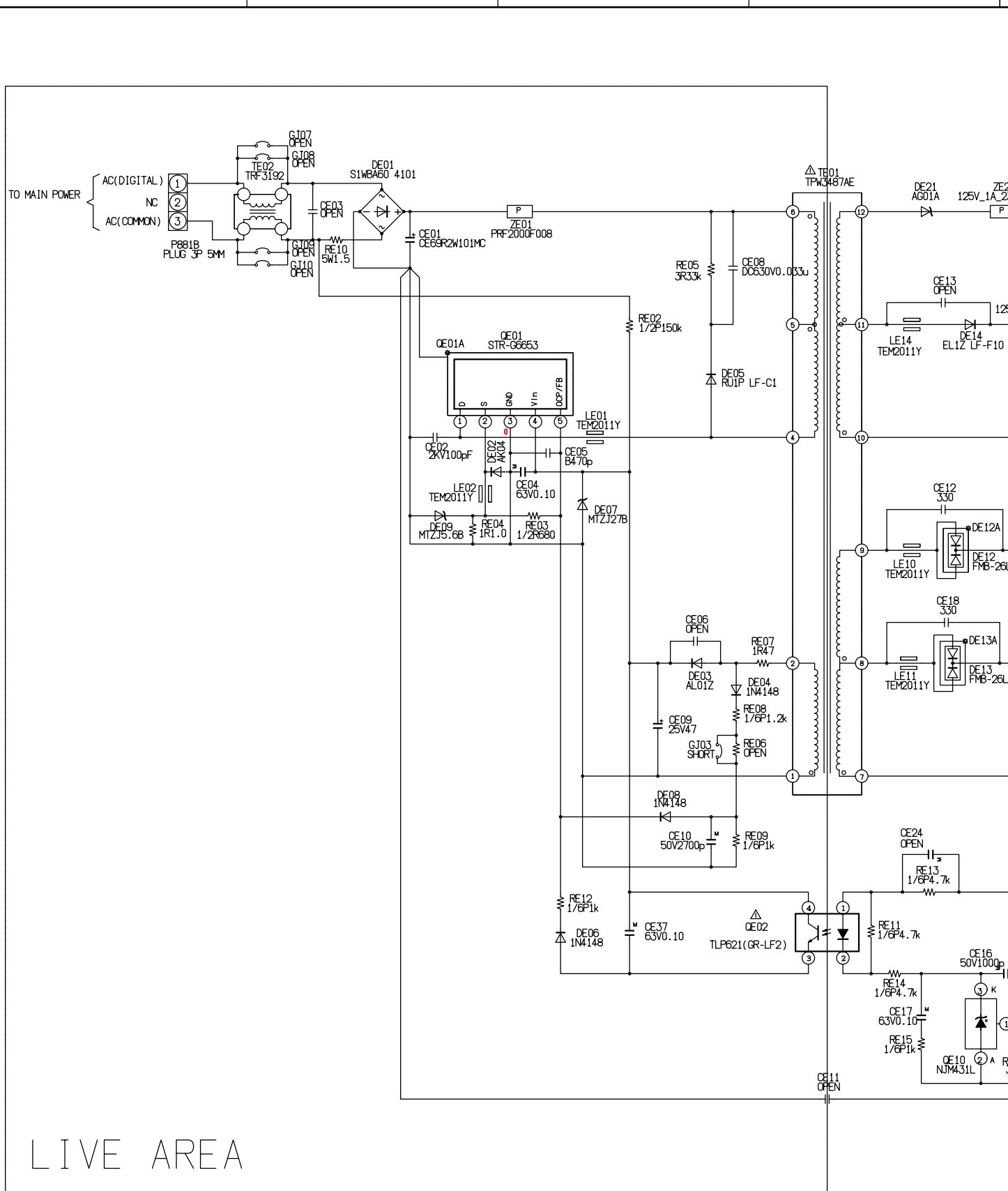
B

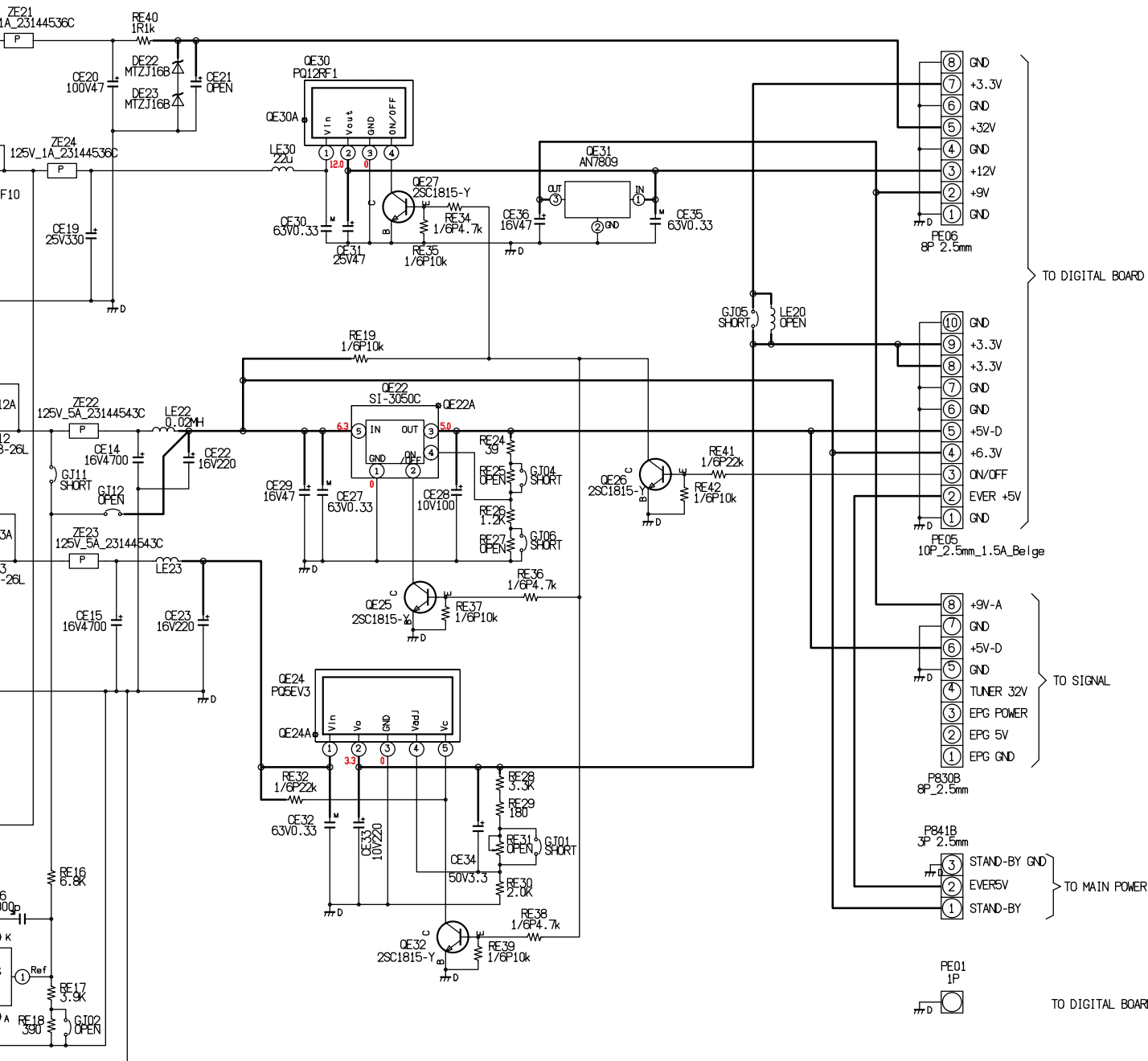
C

D

E

F

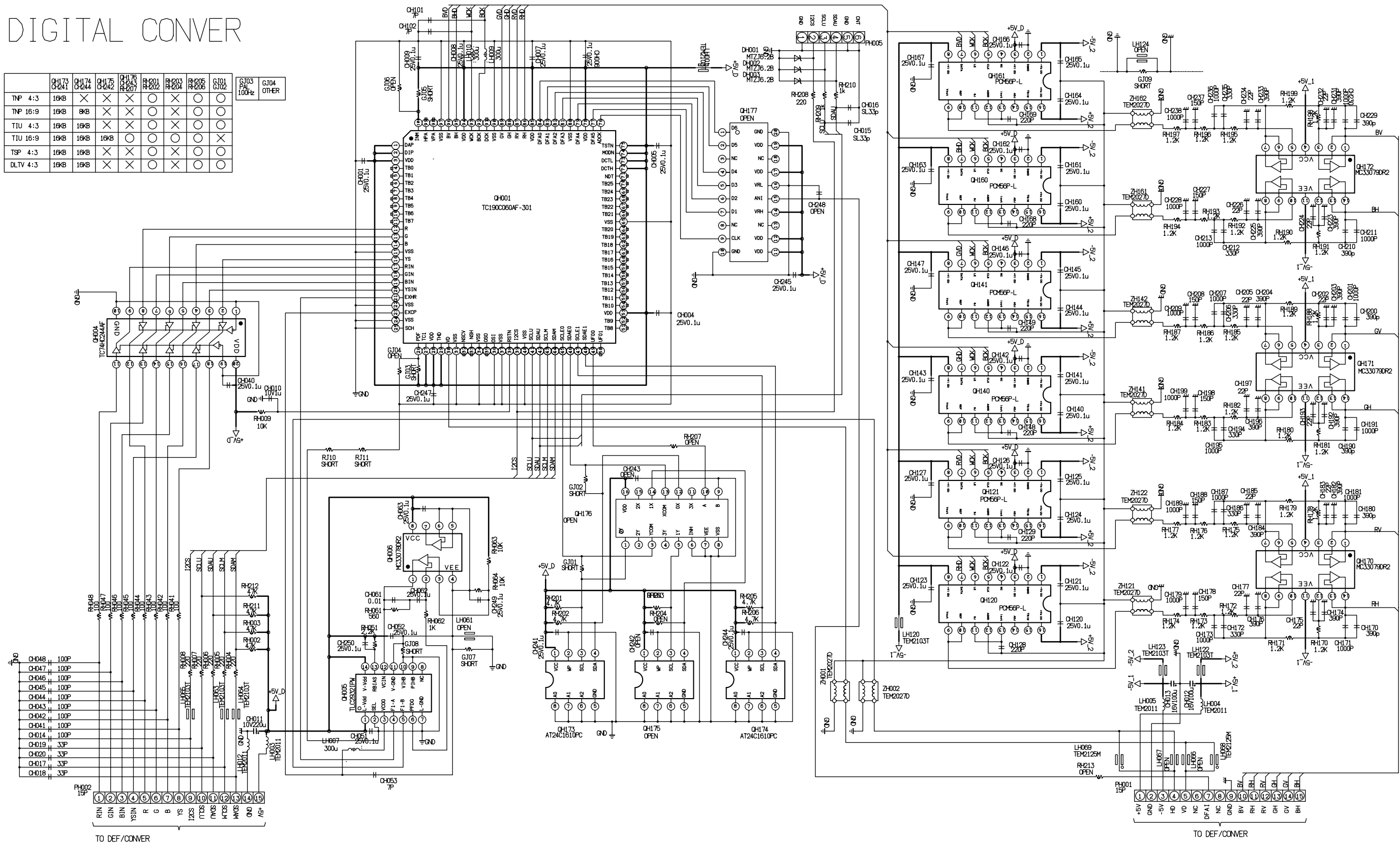




DIGITAL POWER
42/50/57WT29B

DIGITAL CONVER

	CH173 G241	CH174 G244	CH175 G242	CH176 G243	CH201 G202	CH203 G204	CH205 G206	CH207 G208	G203 PAL 10KHz	G204 OTHER
TNP 4:3	16KB	X	X	X	O	X	O	O		
TNP 16:9	16KB	8KB	X	X	O	X	O	O		
TIU 4:3	16KB	16KB	X	X	O	X	O	O		
TIU 16:9	16KB	16KB	O	O	O	O	X	X		
TSP 4:3	16KB	16KB	X	X	O	X	O	O		
DLTV 4:3	16KB	16KB	X	X	O	X	O	O		



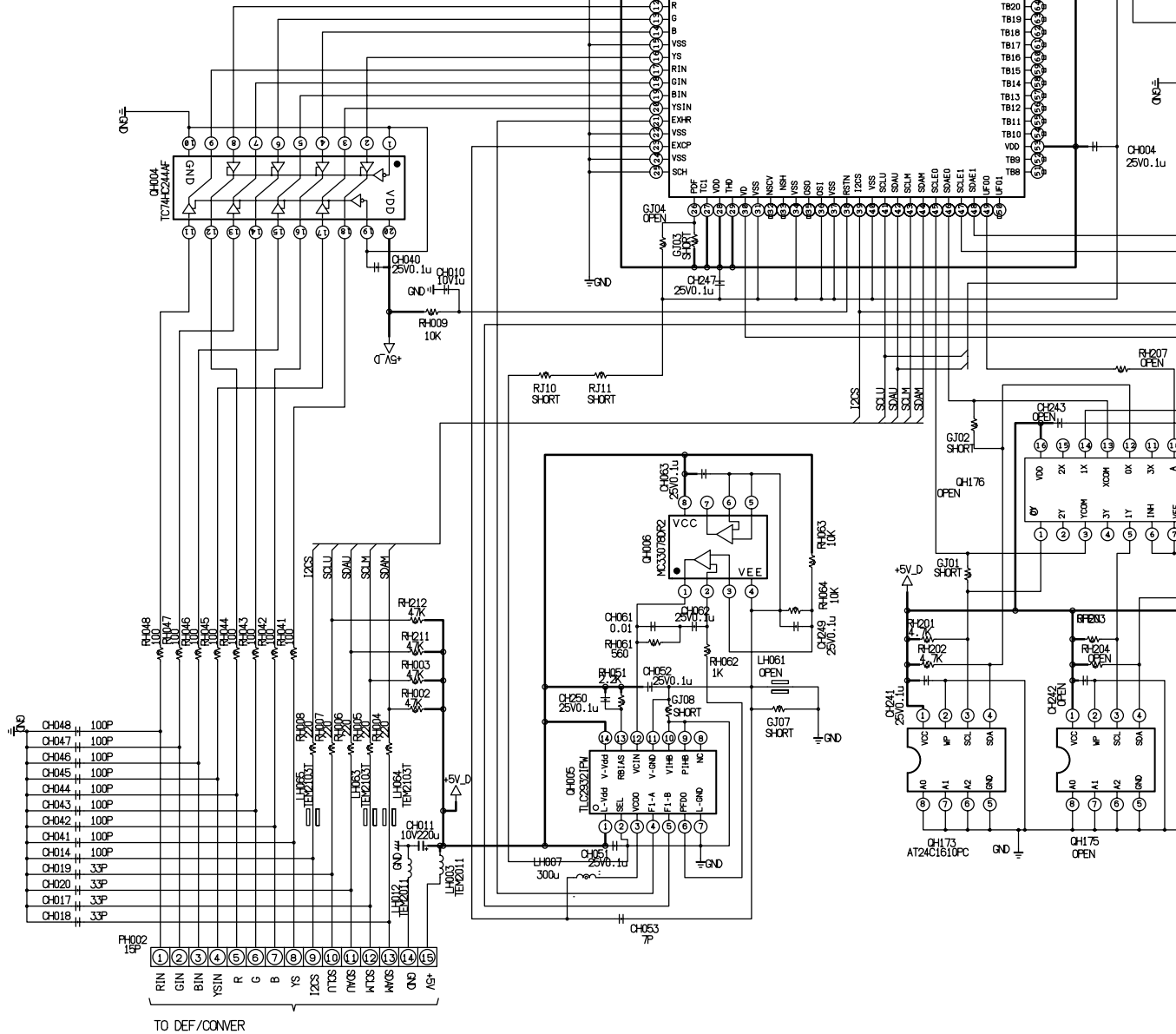
D-CONVER
42/50/57WT29B

DIGITAL CONVERT

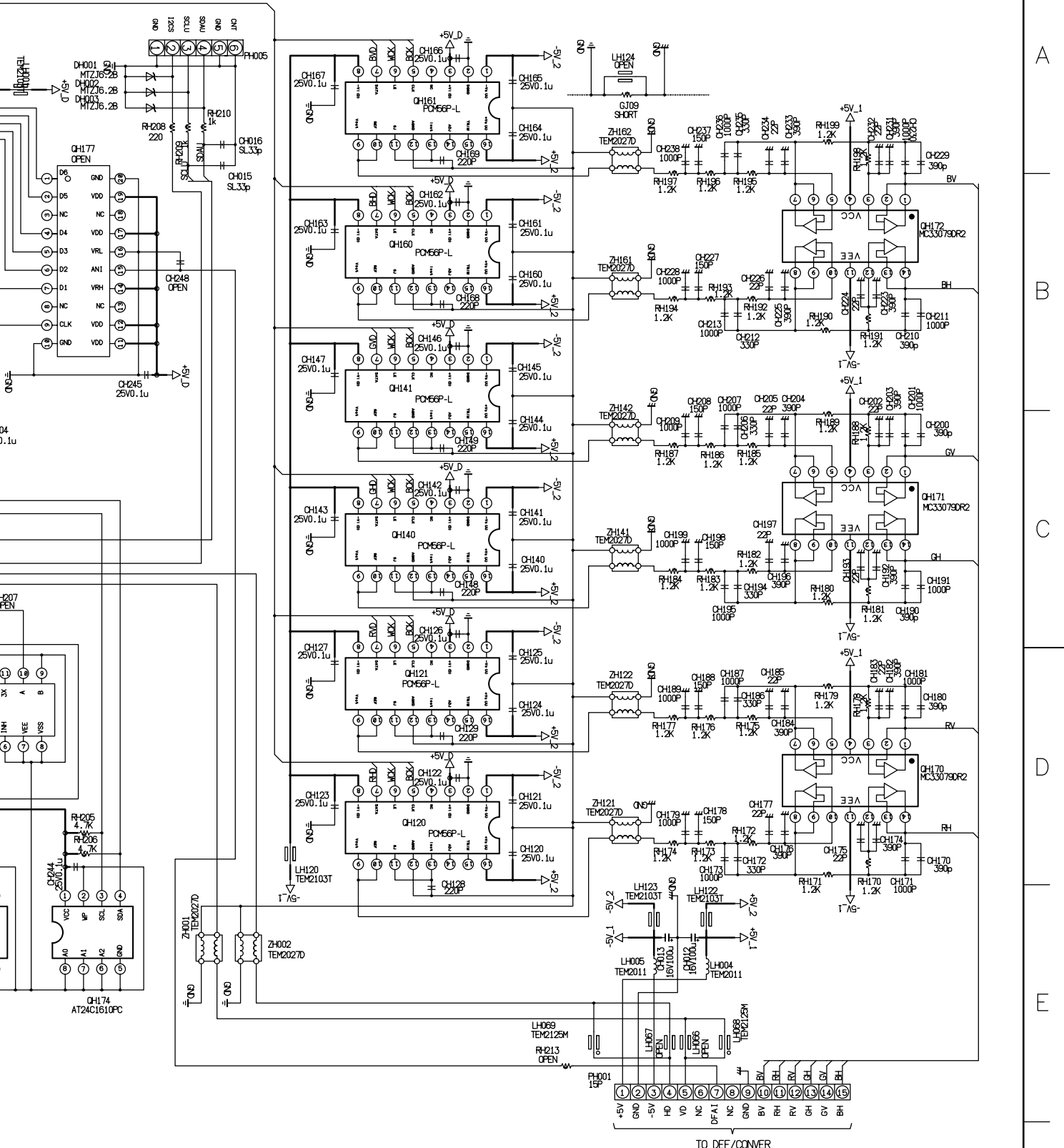
	GH173 GH241	GH174 GH244	GH175 GH242	GH176 GH243	RH201	RH203	RH205	GH171 GH172	GH173 GH174
TNP 4:3	16KB	X	X	X	O	X	O	O	O
TNP 16:9	16KB	8KB	X	X	O	X	O	O	O
TIU 4:3	16KB	16KB	X	X	O	X	O	O	O
TIU 16:9	16KB	16KB	16KB	O	O	O	O	X	O
TSP 4:3	16KB	16KB	X	X	O	X	O	O	O
DLTV 4:3	16KB	16KB	X	X	O	X	O	O	O

GJ03
PAL
100Hz

GJ04
OTHER



TO DEF/CONVER



A

B

C

D

E

F

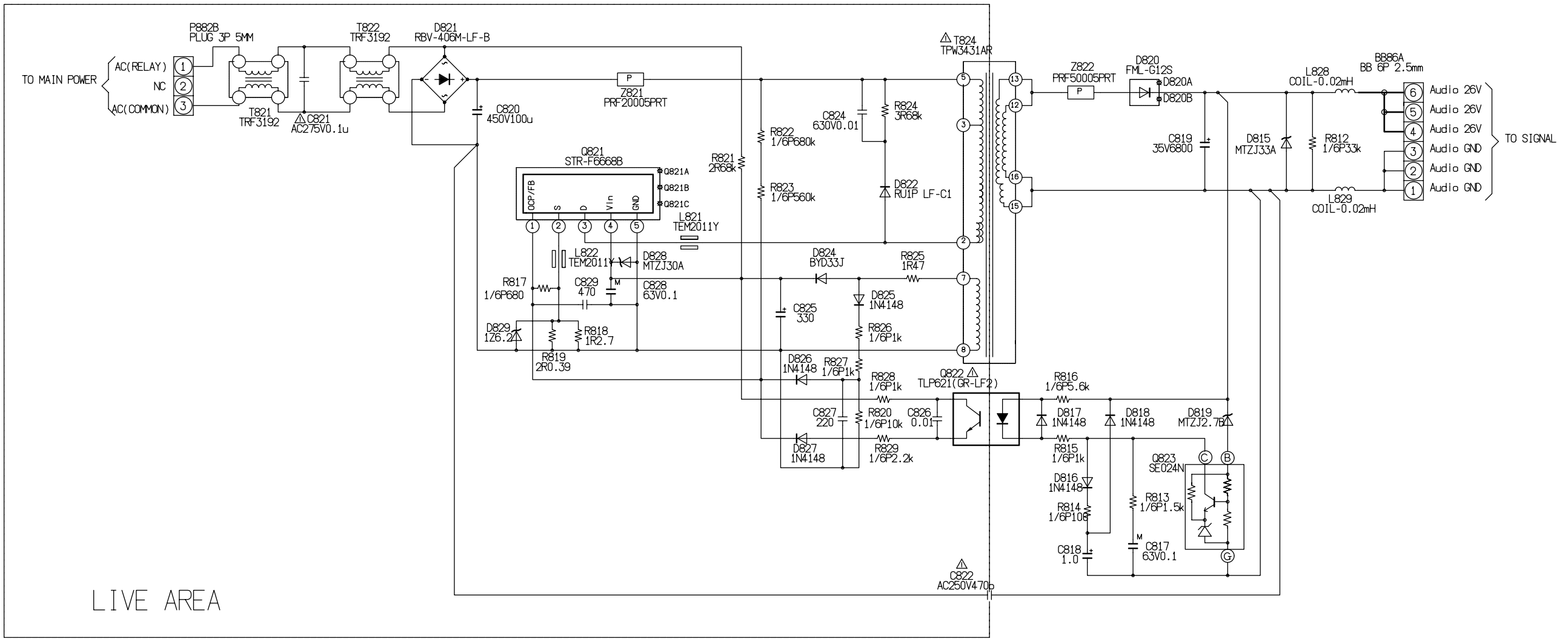
D-CONVER
42/50/57WT29B

A

A

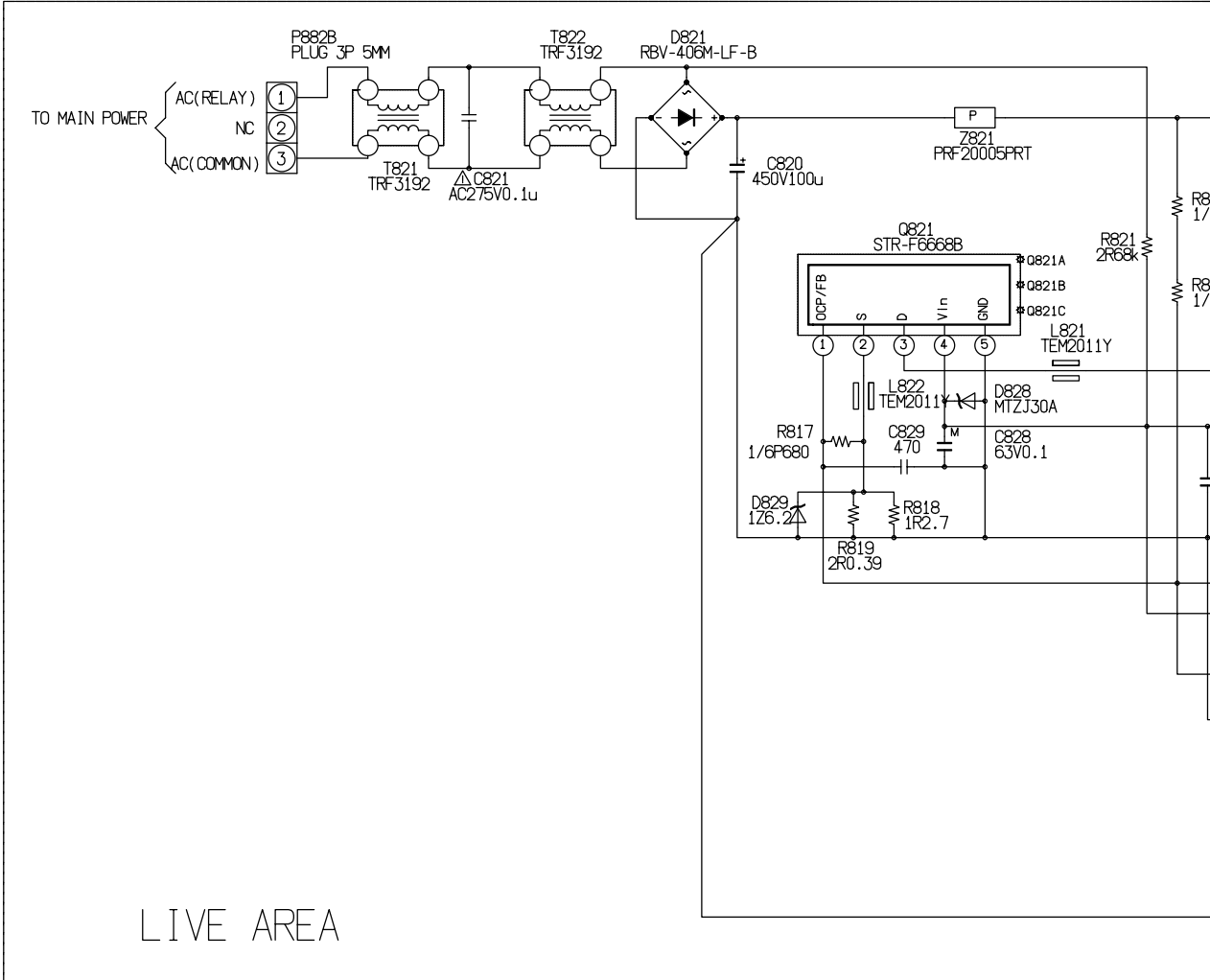
B

B



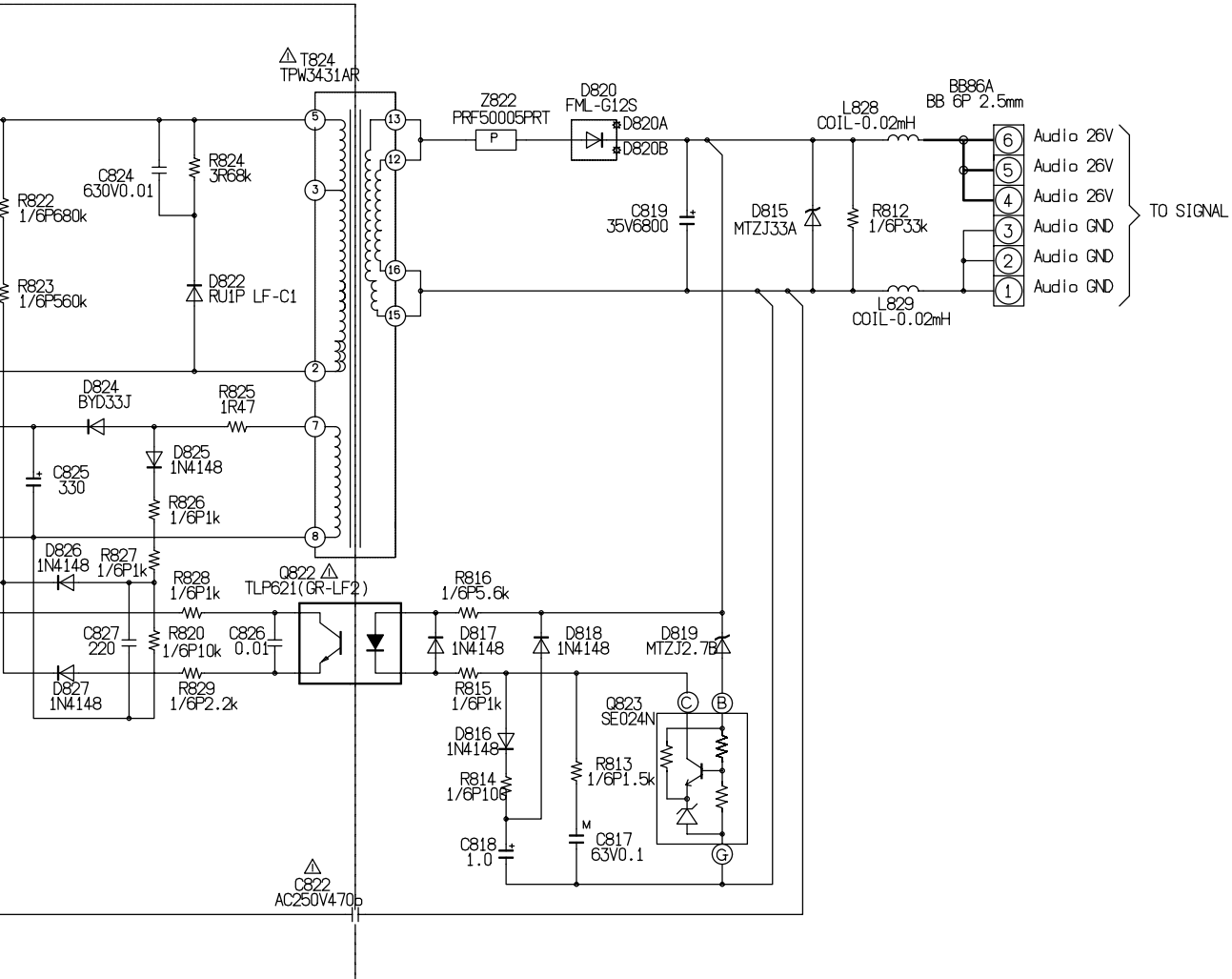
LIVE AREA

AC-3 POWER
42/50/57WT29B



A

B



A

B

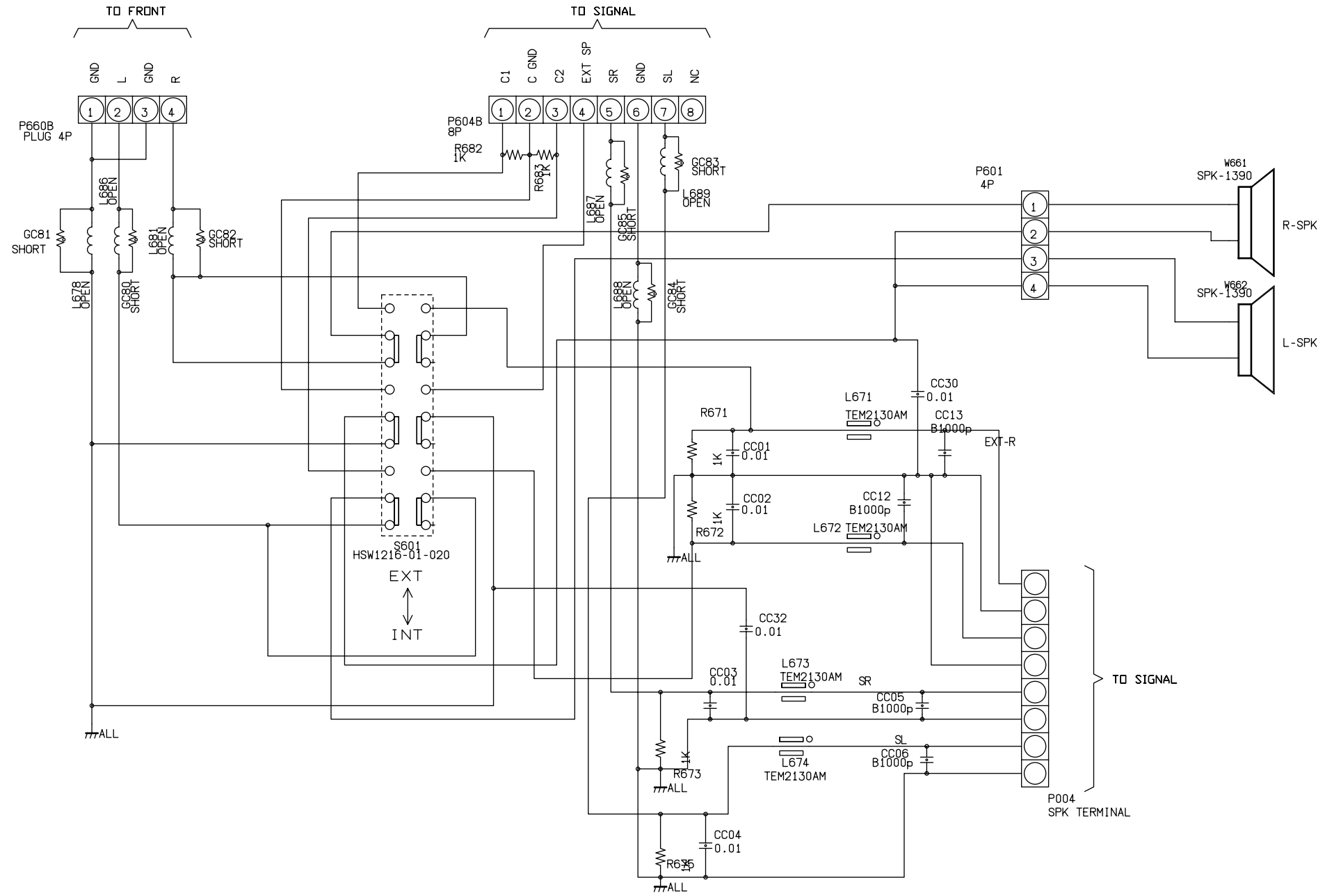
AC-3 POWER
42/50/57WT29B

A

A

B

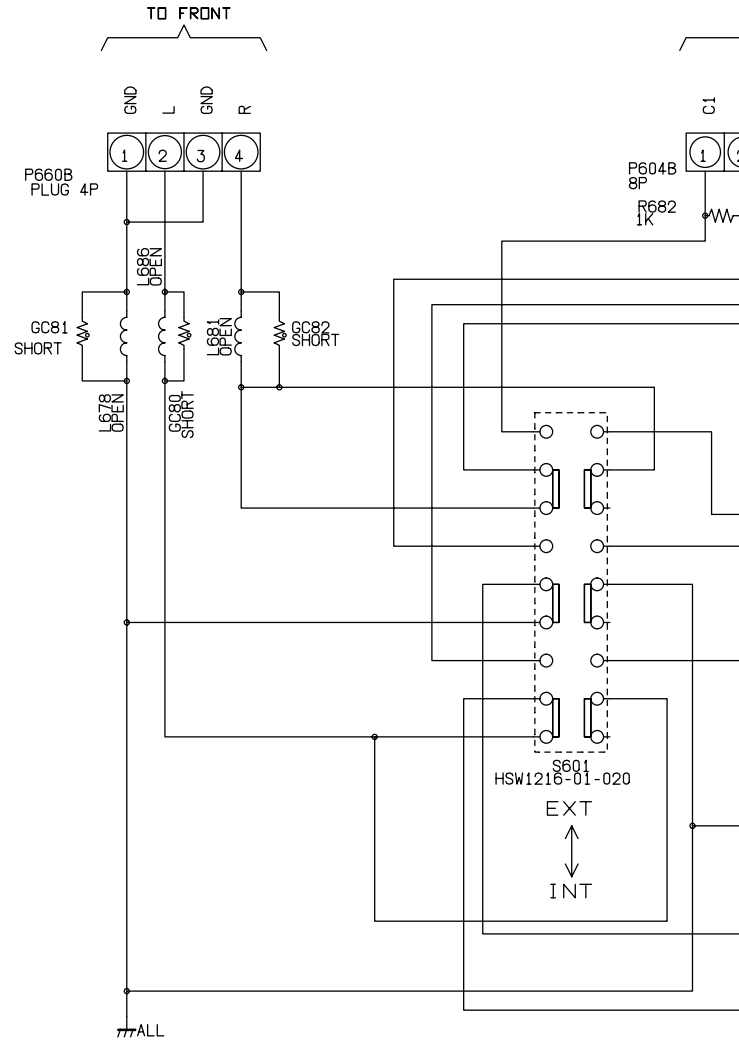
B

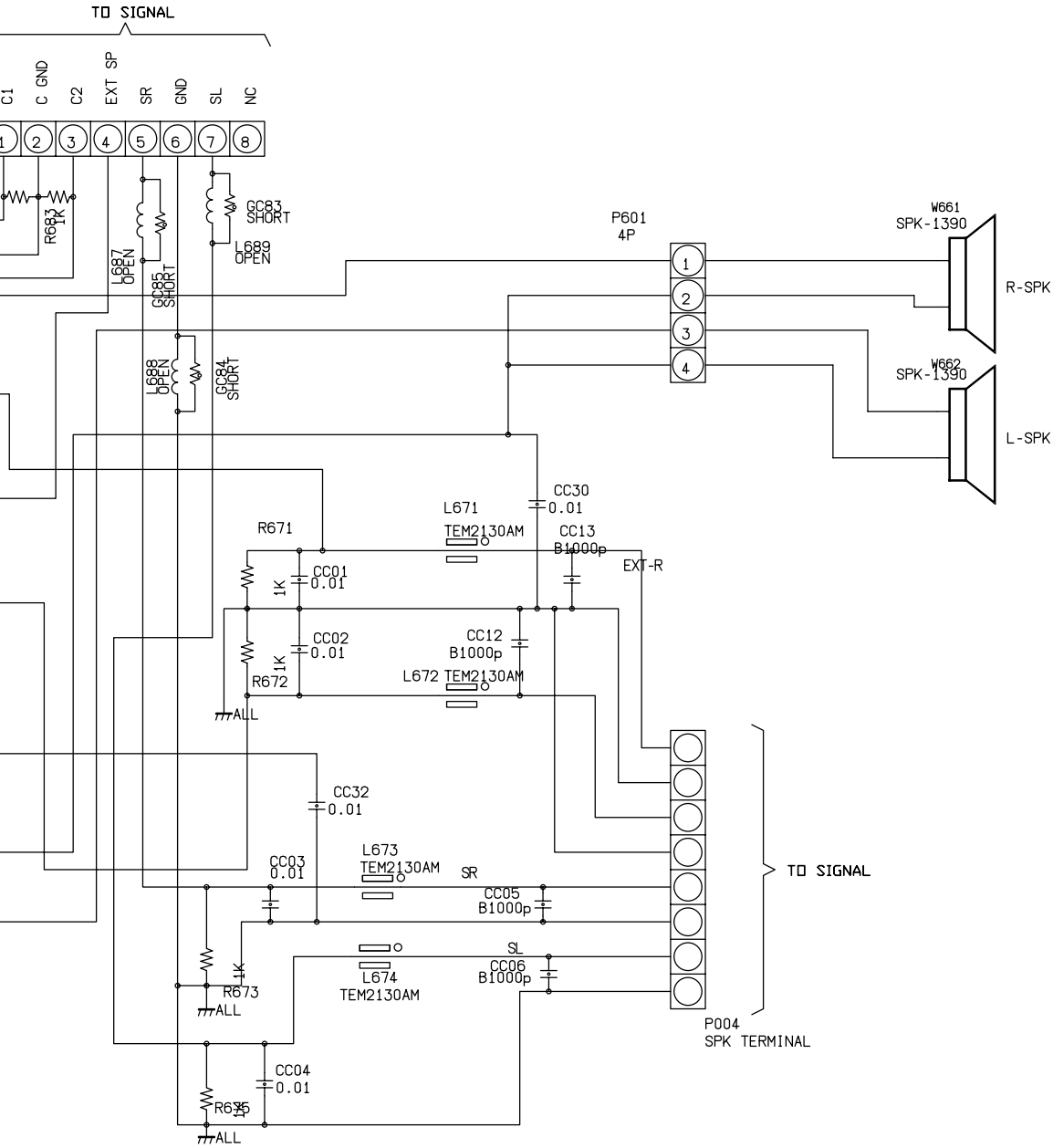


EXT-SP
42/50/57WT29B

A

B





A

B

EXT-SP
 42/50/57WT29B

A

B

C

D

E

F

A

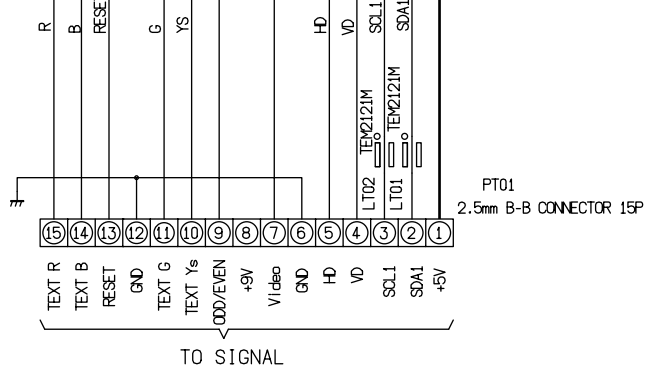
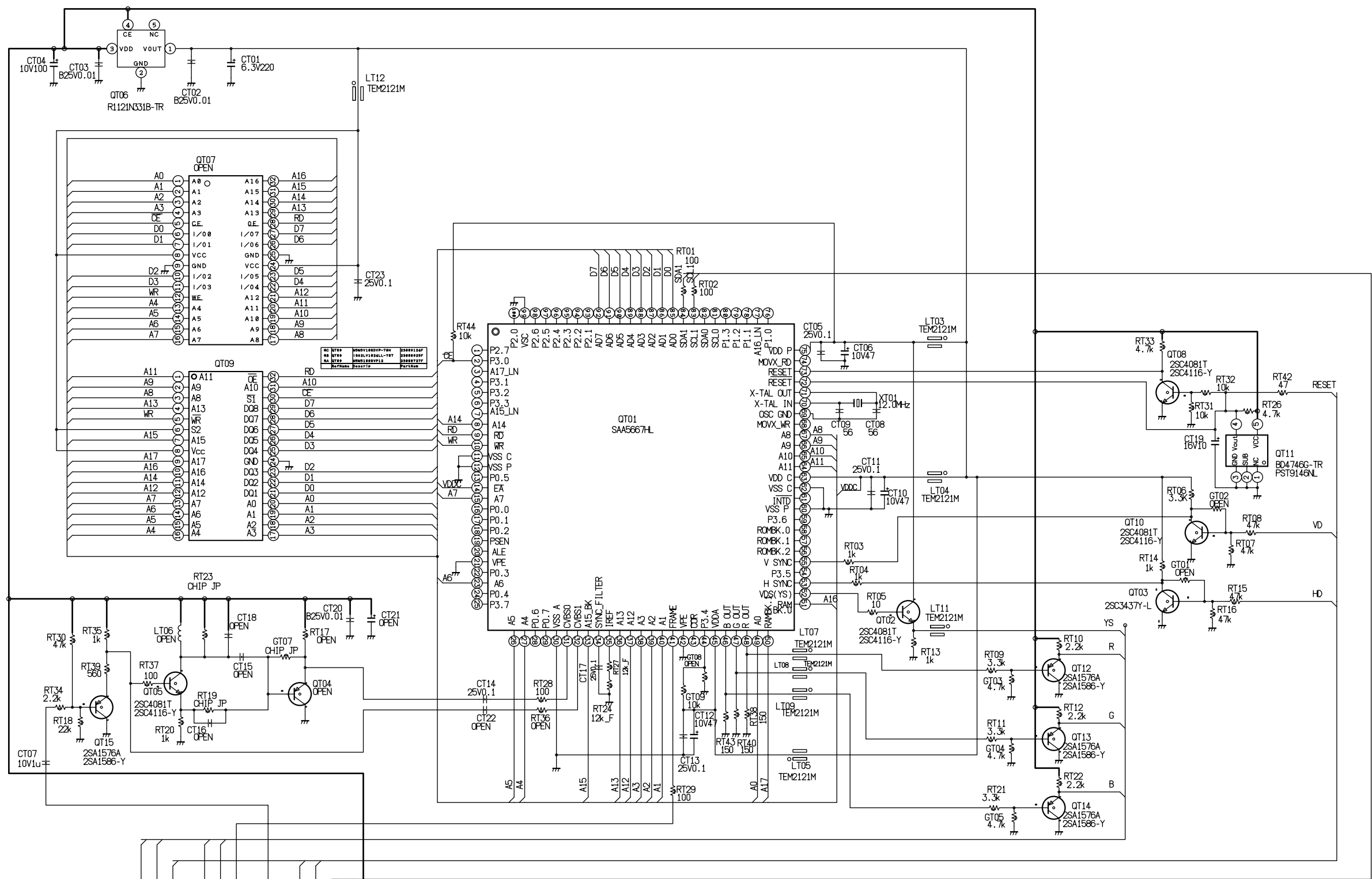
B

C

D

E

F



BF01
BF02
BF03

TEXT-P2
42WH18B/50WH18B /43PH14Q
42WT29B/50WT29B/57WT29B

1 2 3 4 5 6 7 8

1 2 3 4 5 6 7 8

A

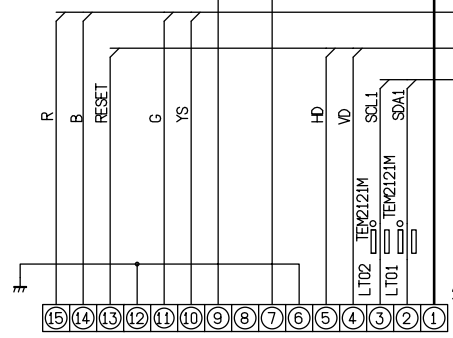
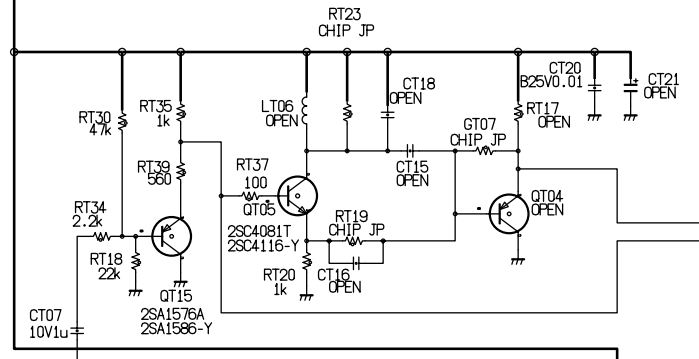
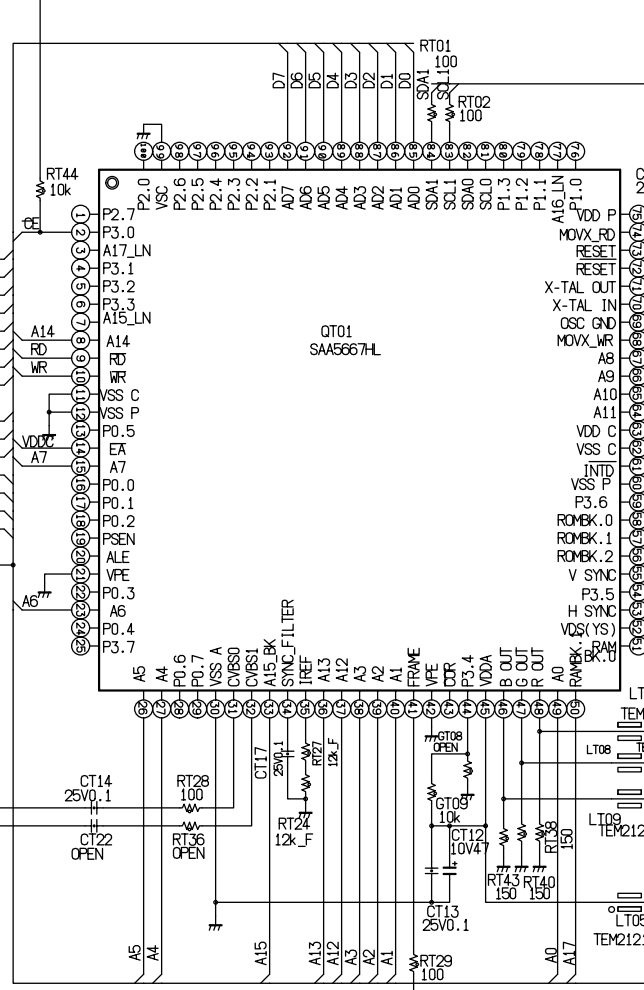
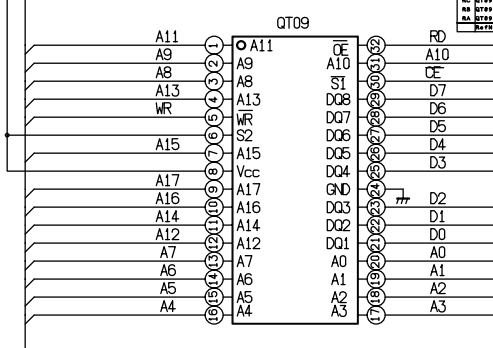
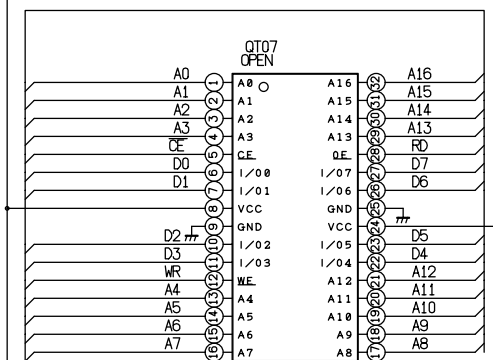
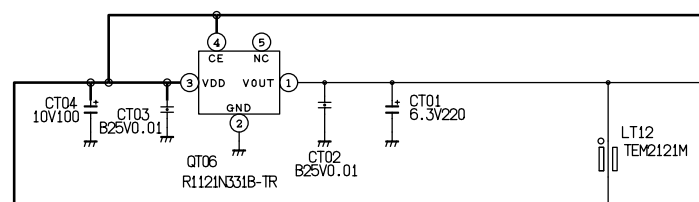
B

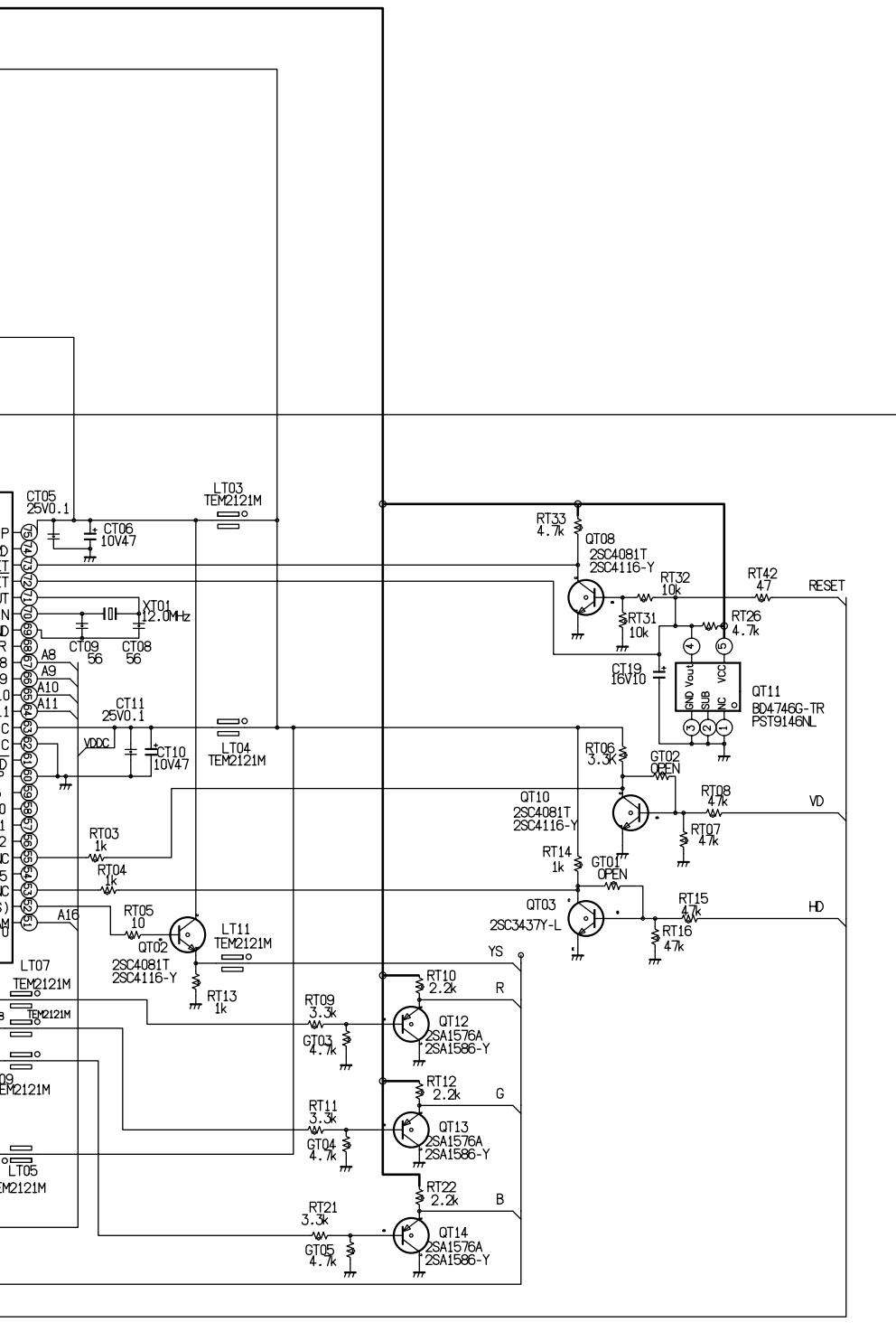
C

D

E

F

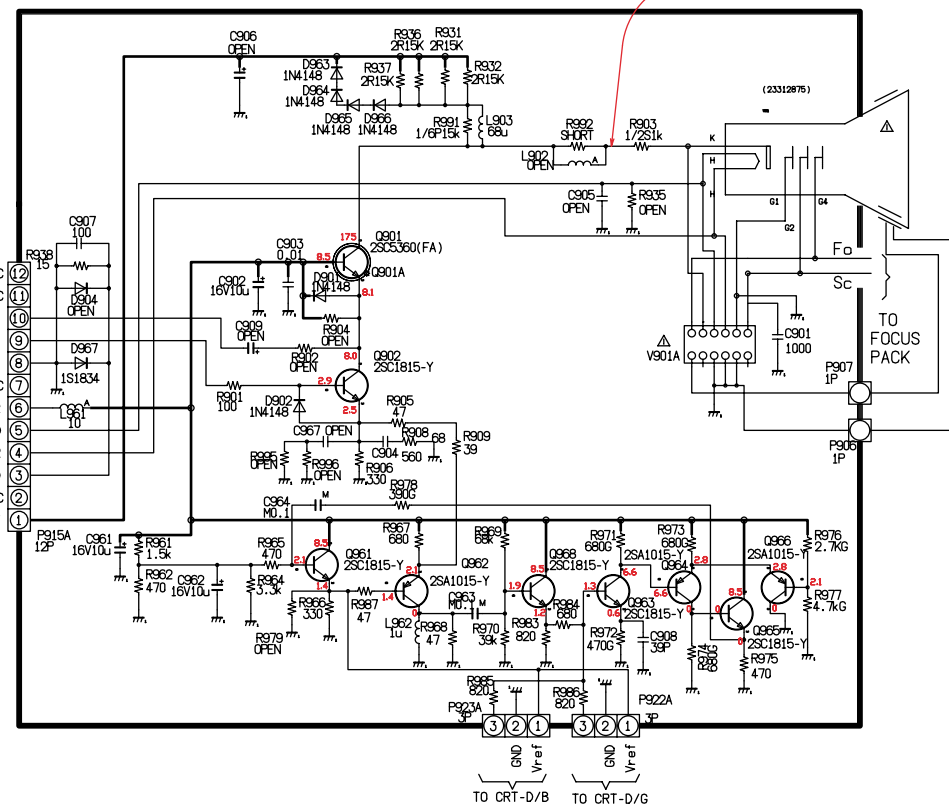




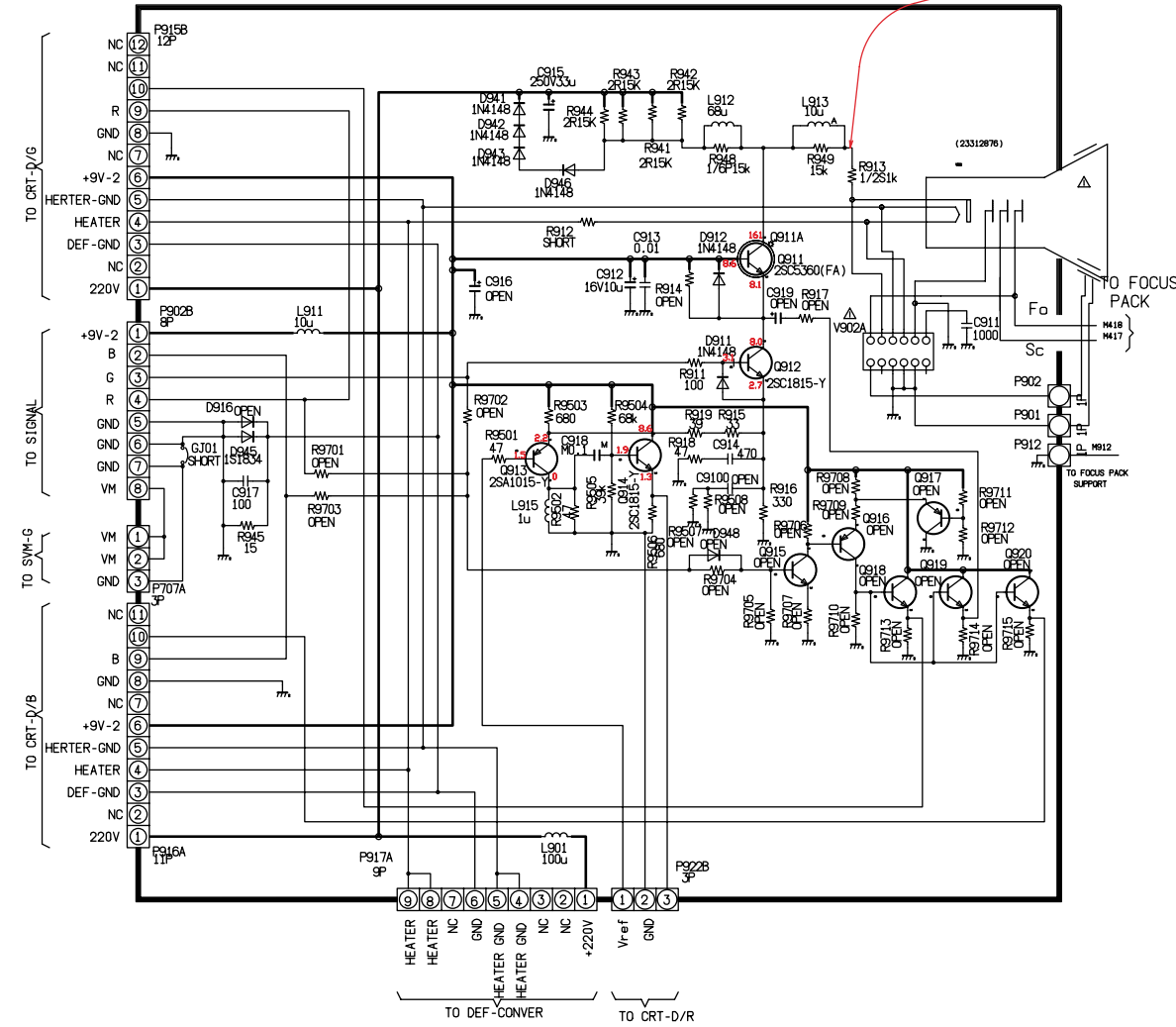
BF01 BF02 BF03

TEXT-P2
 42WH18B/50WH18B /43PH14Q
 42WT29B/50WT29B/57WT29B

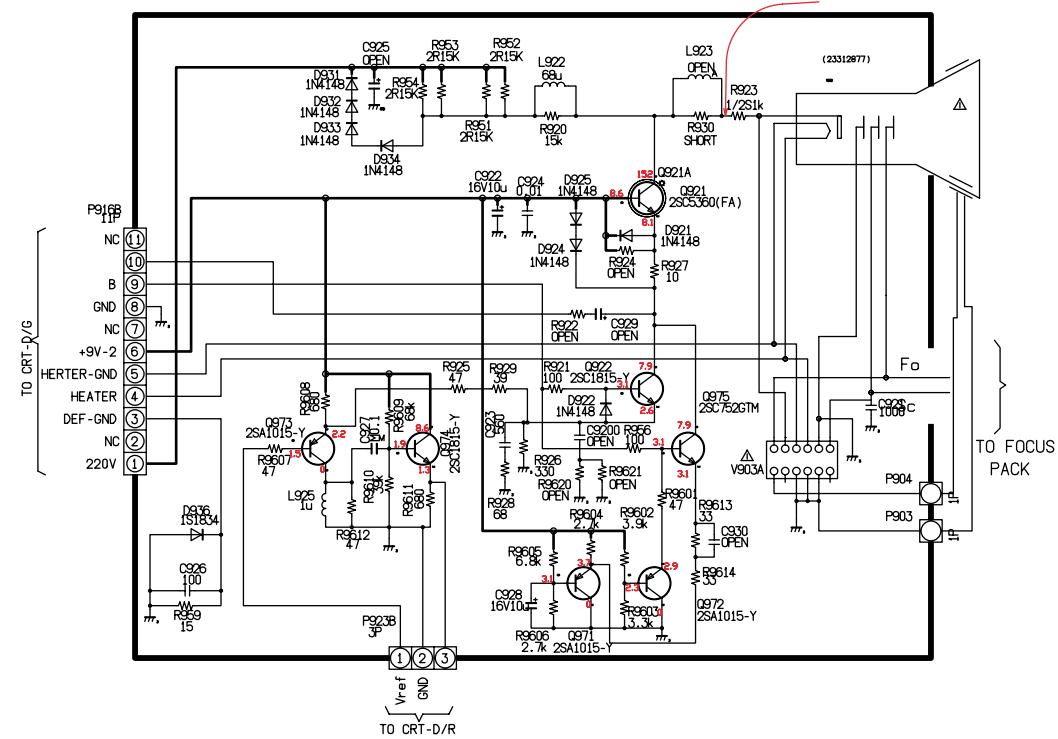
U901A
CRT-D/R



U901B
CRT-D/G

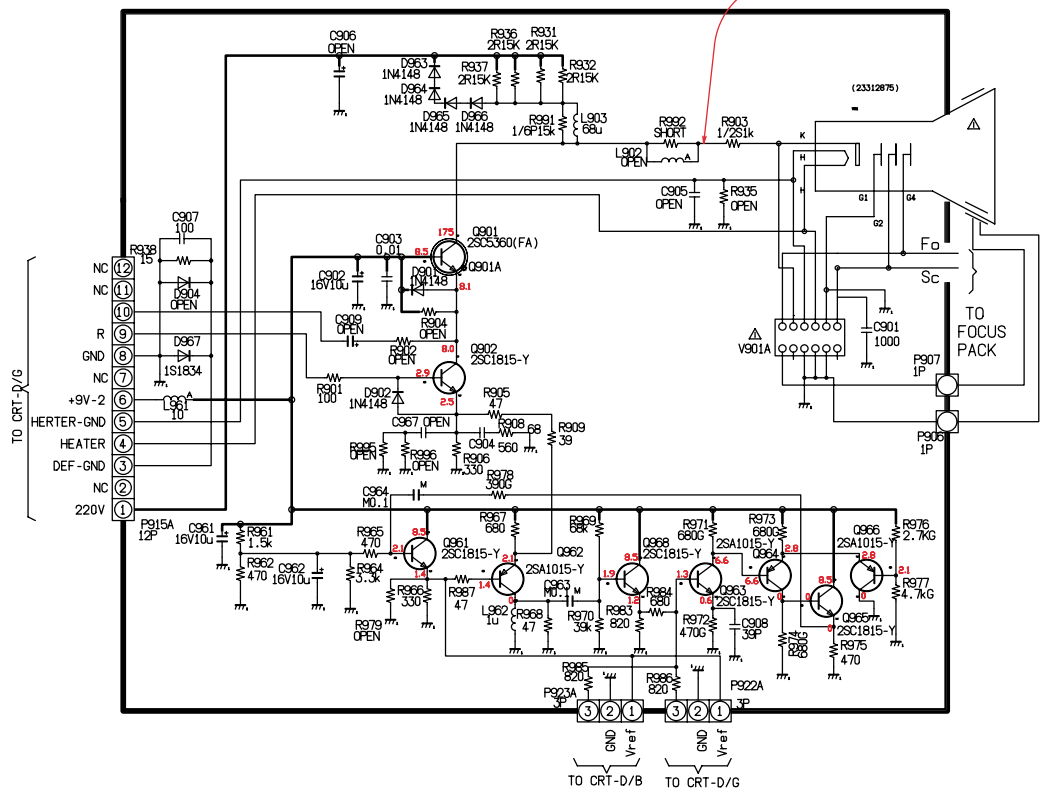


U901C
CRT-D/B

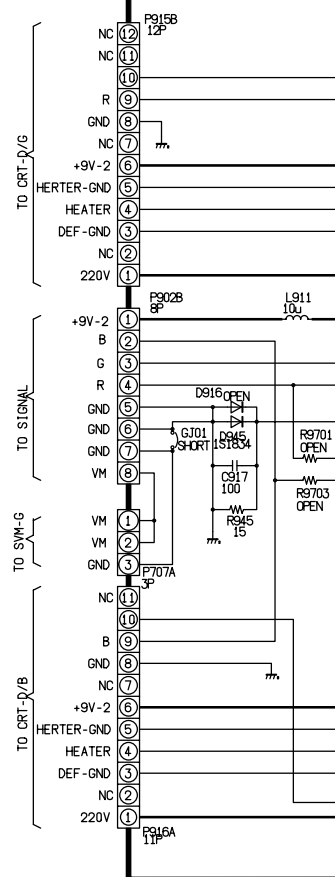


CRT-D SVM(1/2)
42/50/57WT29B

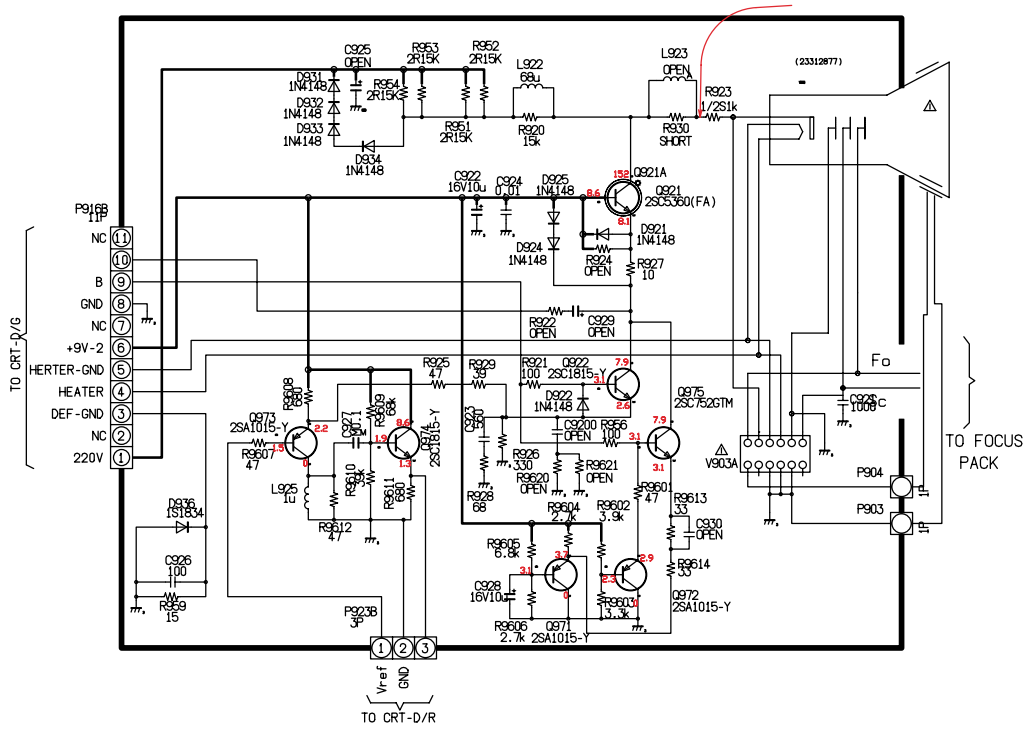
U901A
CRT-D/R

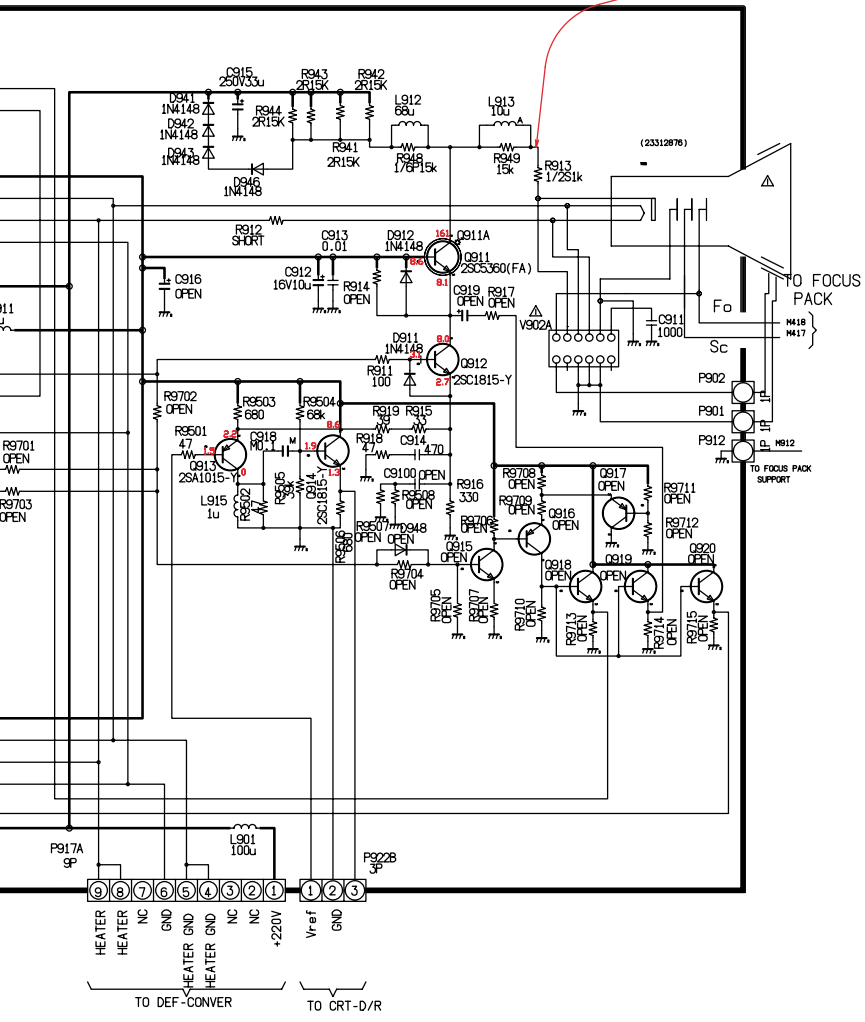


U901B
CRT-D/G



U901C
CRT-D/B





CRT-D SVM(1/2)
42/50/57WT29B

1

2

3

4

5

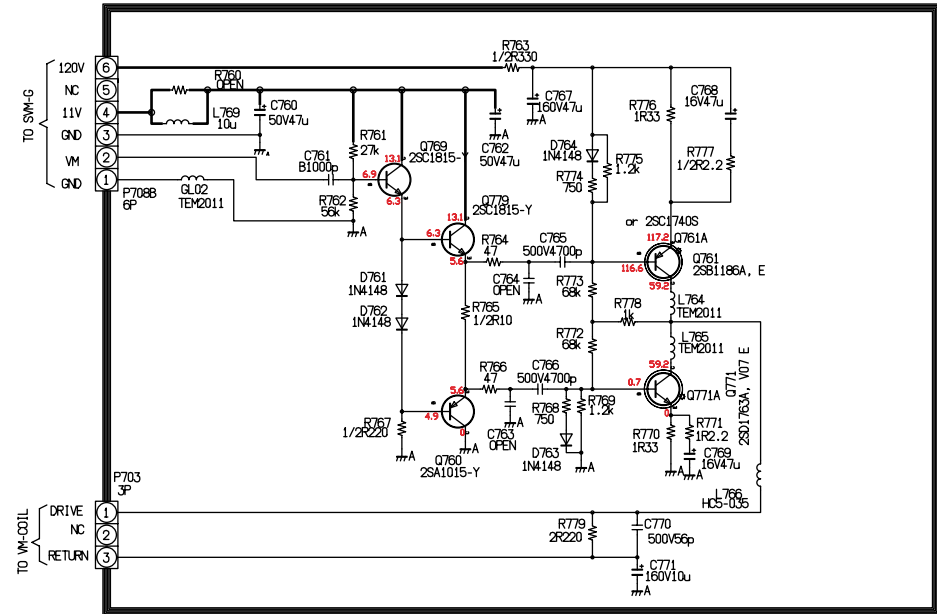
6

7

8

A

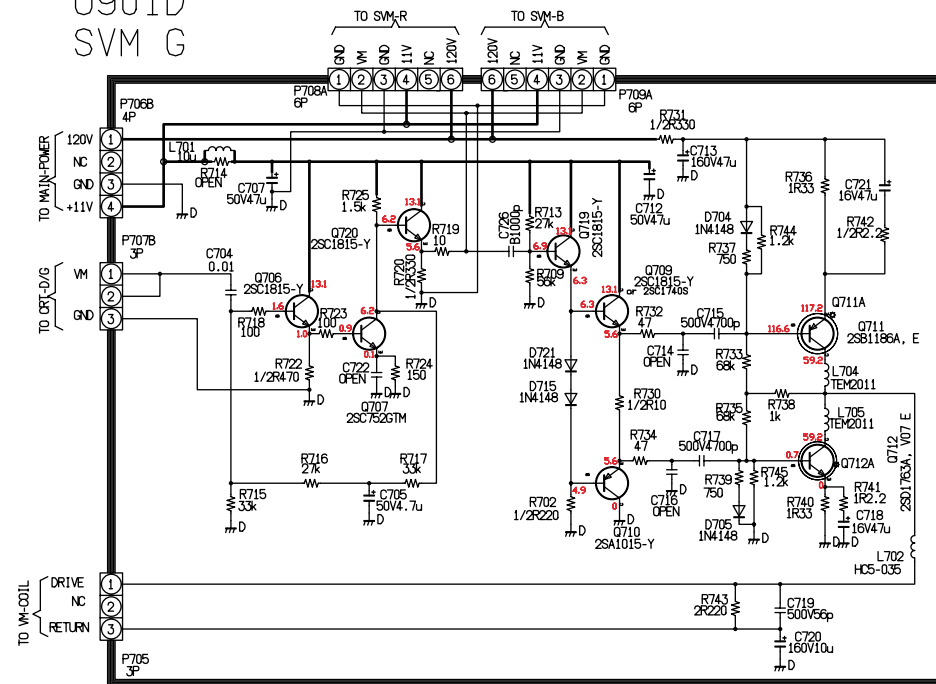
U901E SVM R



B

C

U901D SVM G

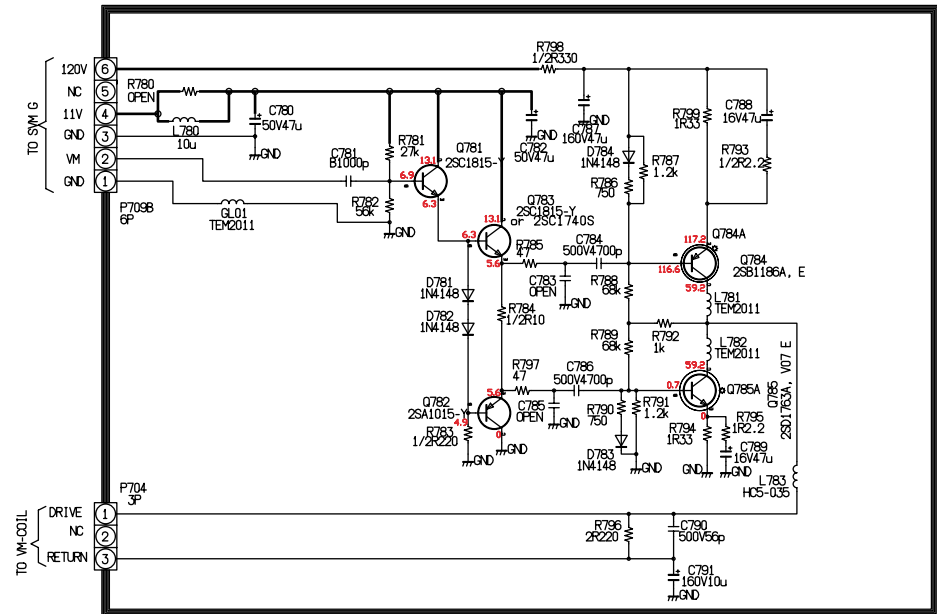


A

B

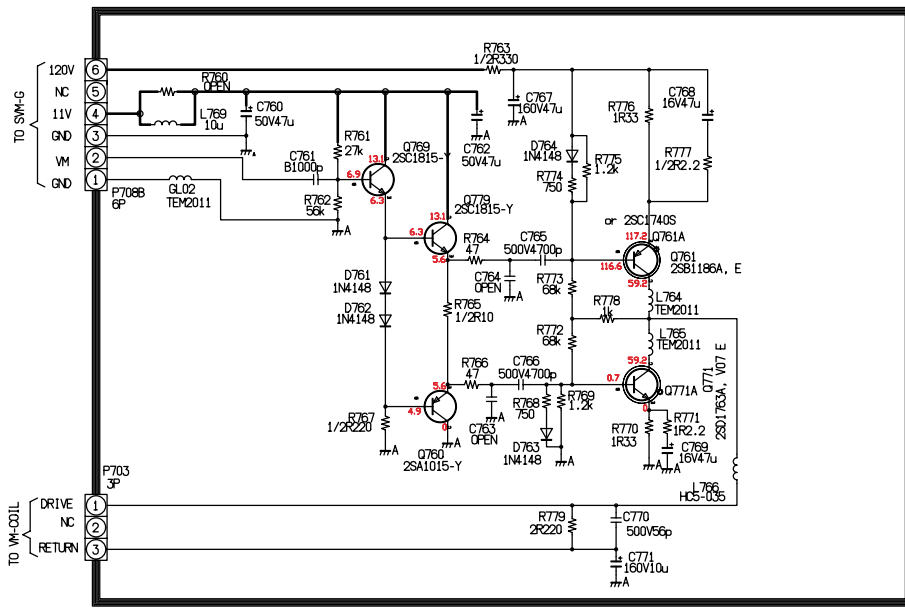
C

U901F SVM B



A

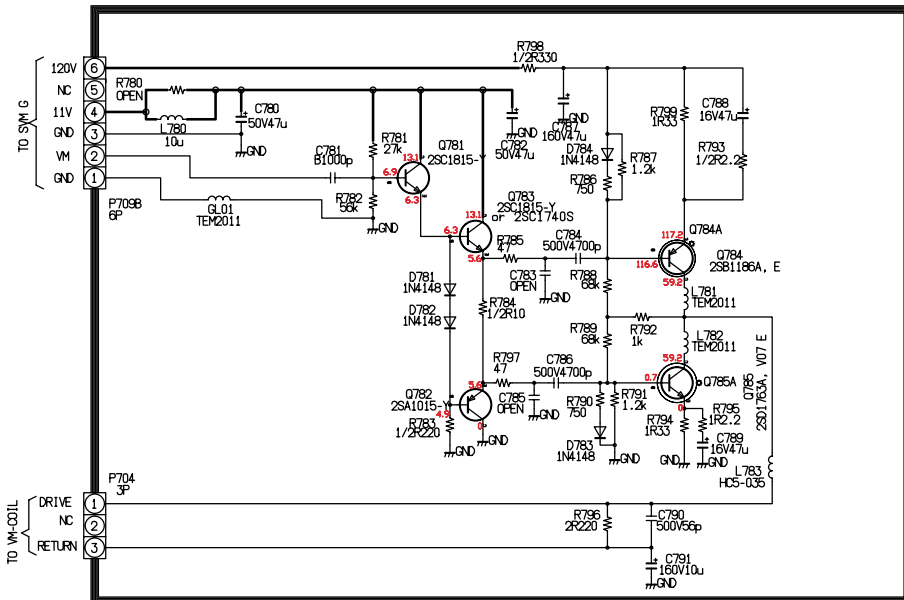
U901E SVM R



B

C

U901F SVM B

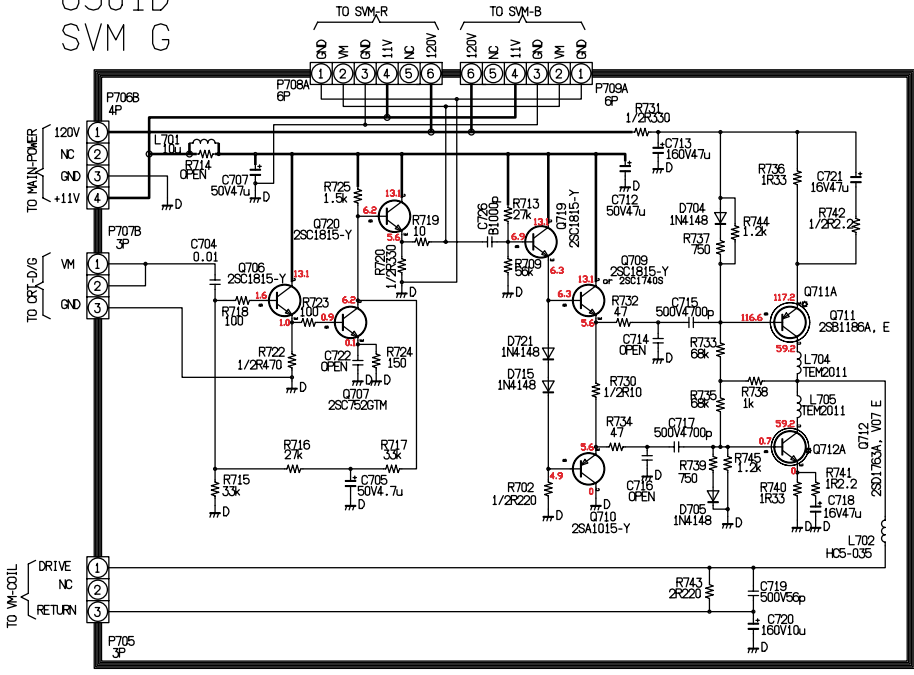


D

E

F

U901D
SVM G



A

B

C

D

E

F

CRT-D SVM(2/2)
42/50/57WT29B

A

B

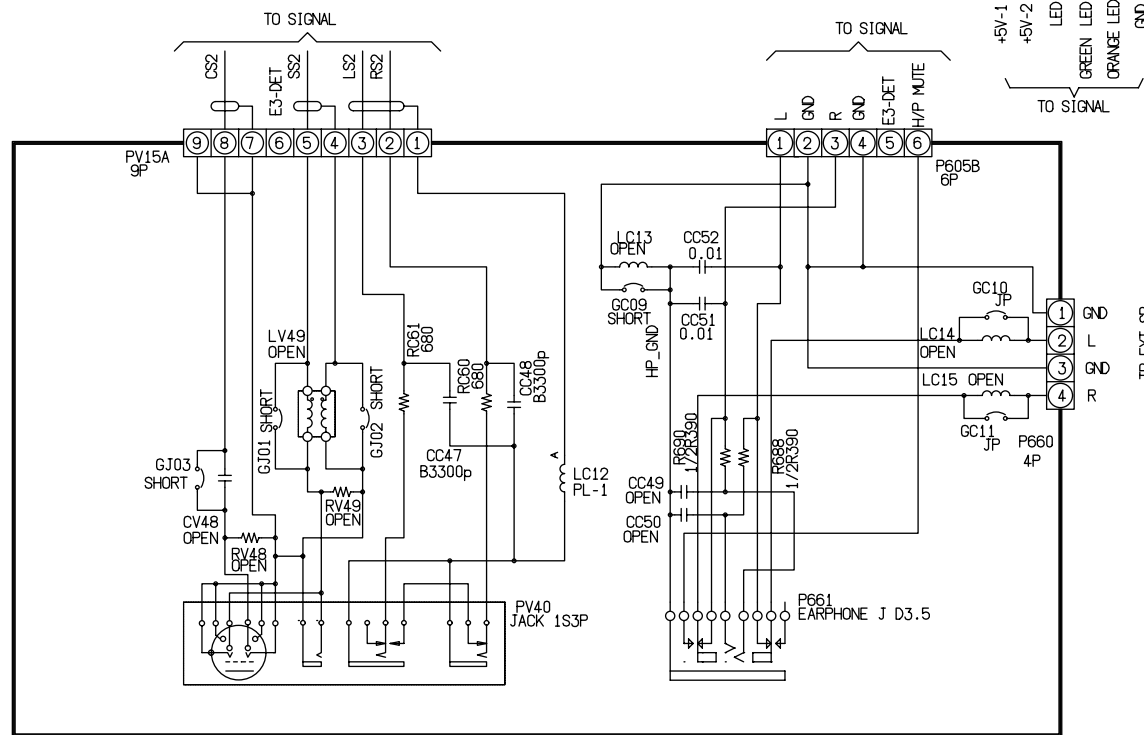
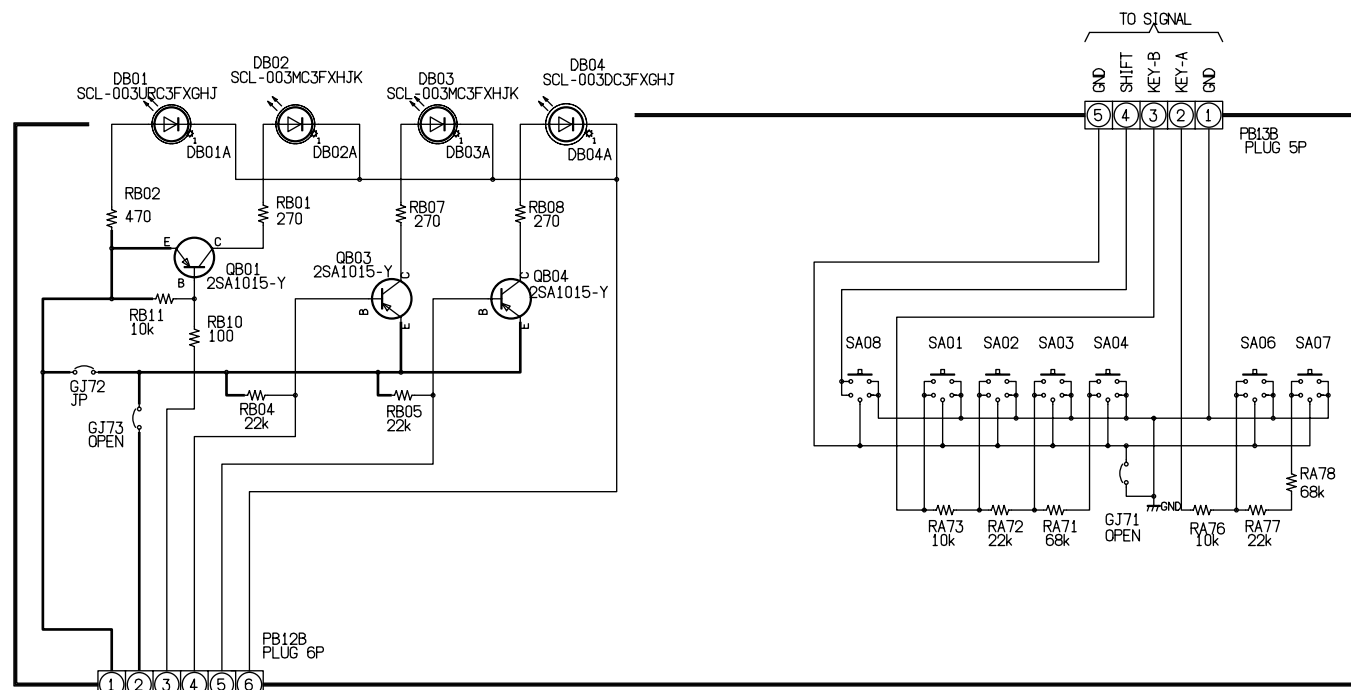
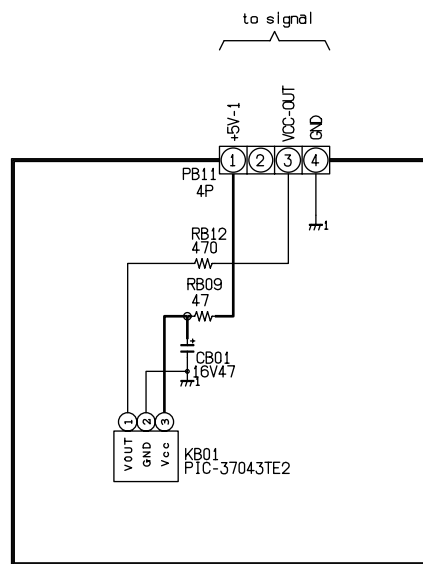
C

D

E

F

1 2 3 4 5 6 7 8



FRONT-IN/RMT/KEY
42/50/57WT29B

1 2 3 4 5 6 7 8

A

B

C

D

E

F

A

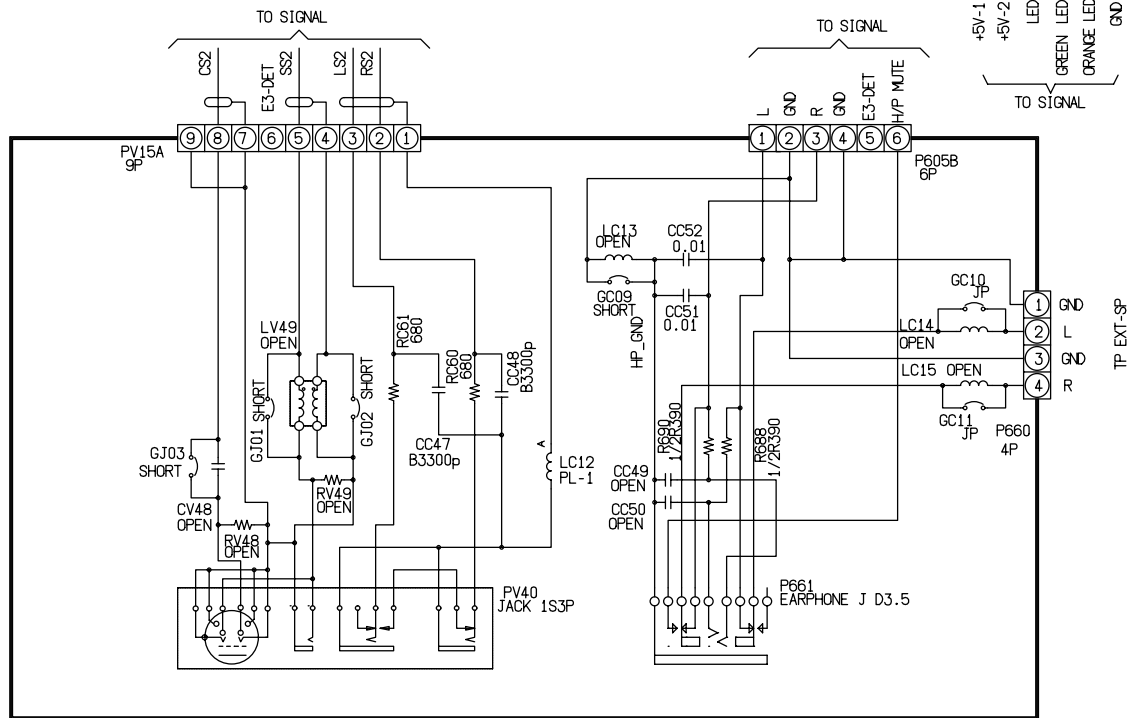
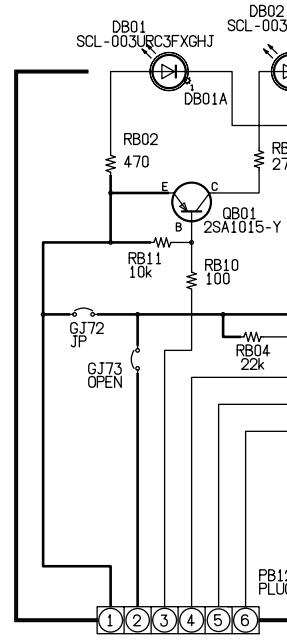
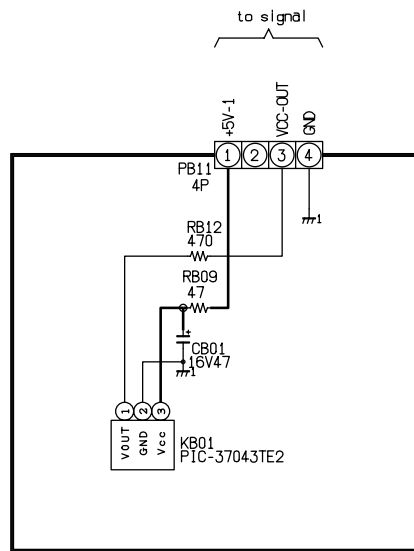
B

C

D

E

F

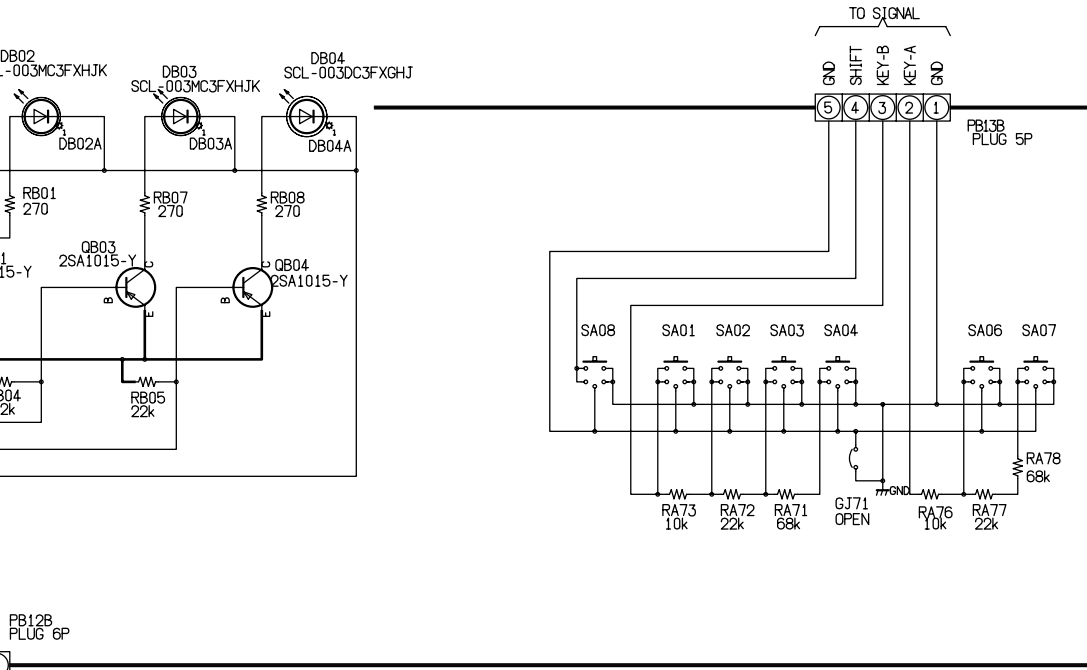


5

6

7

8



A

B

C

D

E

F

FRONT - IN/RMT/KEY
42/50/57WT29B

5

6

7

8

1

2

3

4

A

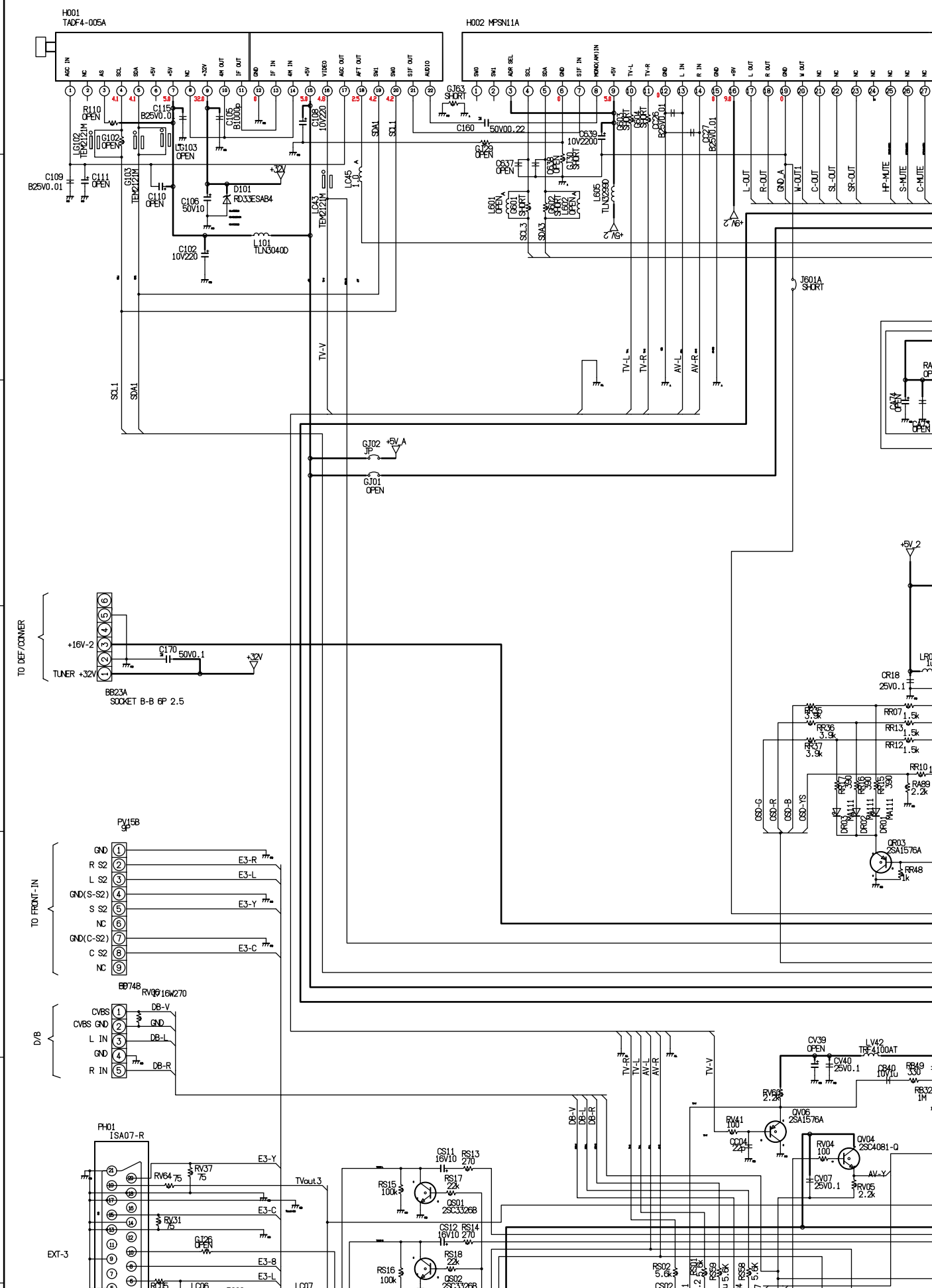
B

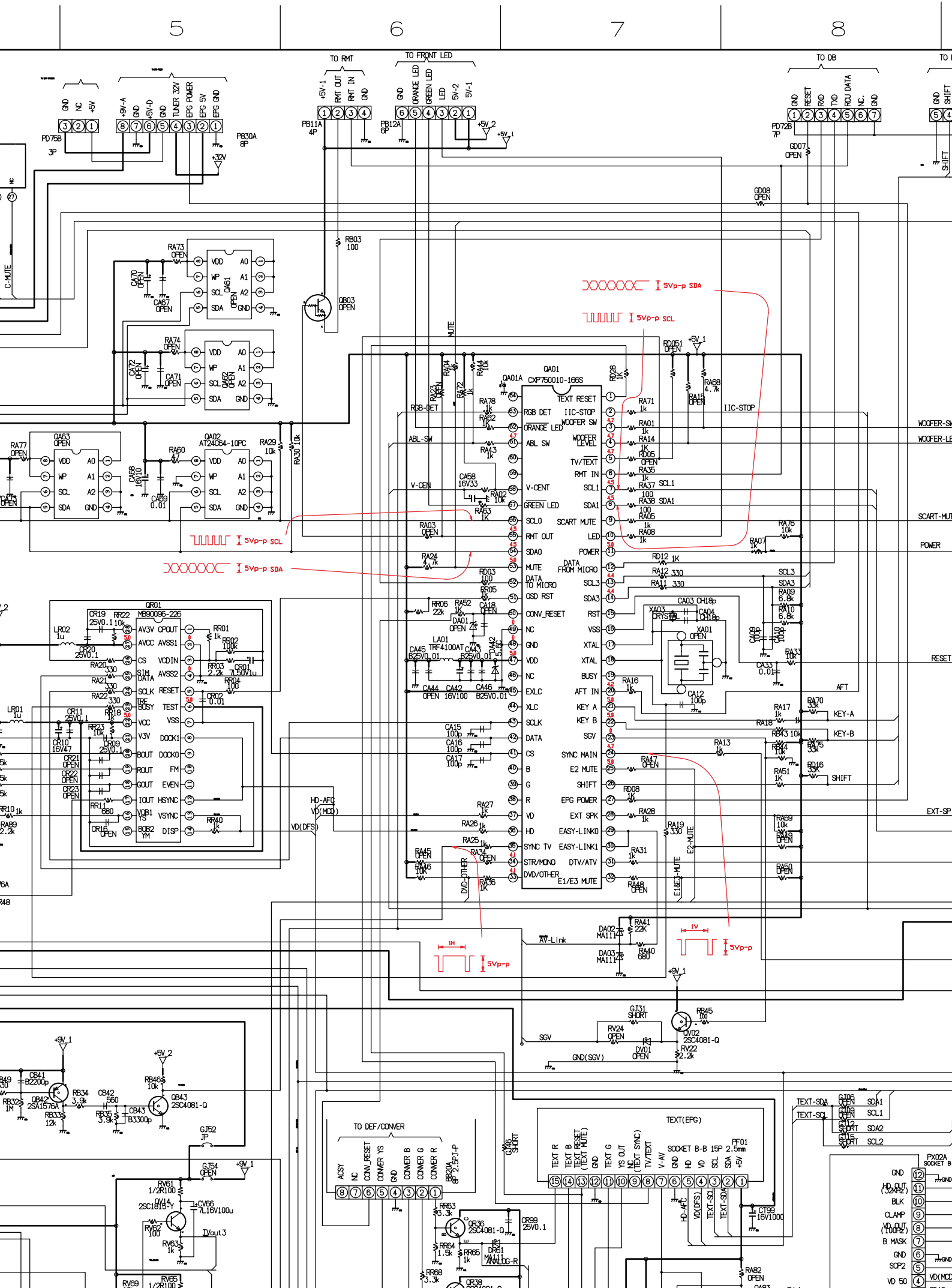
C

D

E

F





5

6

7

8

XXXXXXXX I 5Vp-p SDA
UUUUU I 5Vp-p SCL

UUUUU I 5Vp-p SCL
XXXXXXXX I 5Vp-p SDA

I 5Vp-p

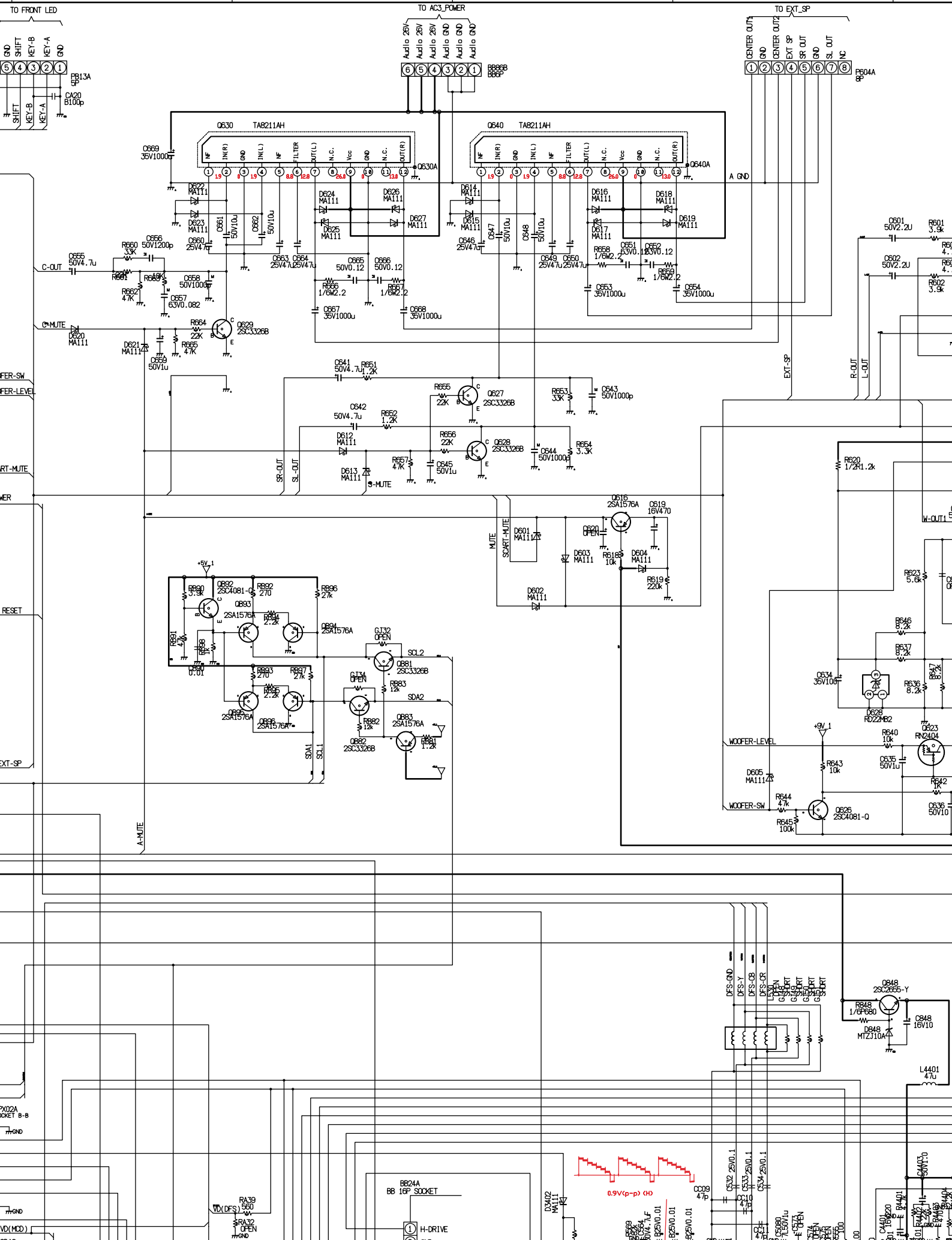
I 5Vp-p

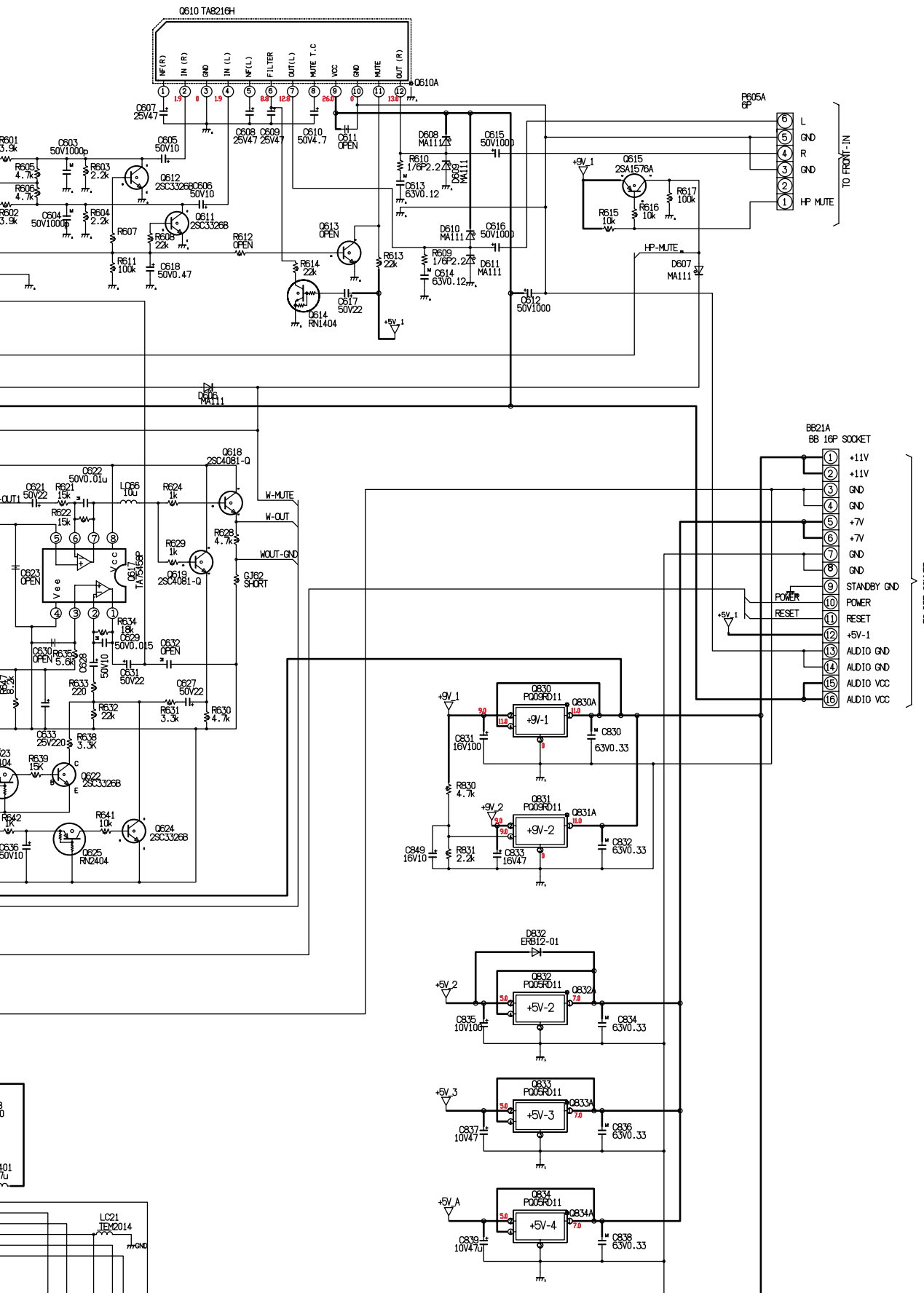
TO DEF/CONVER

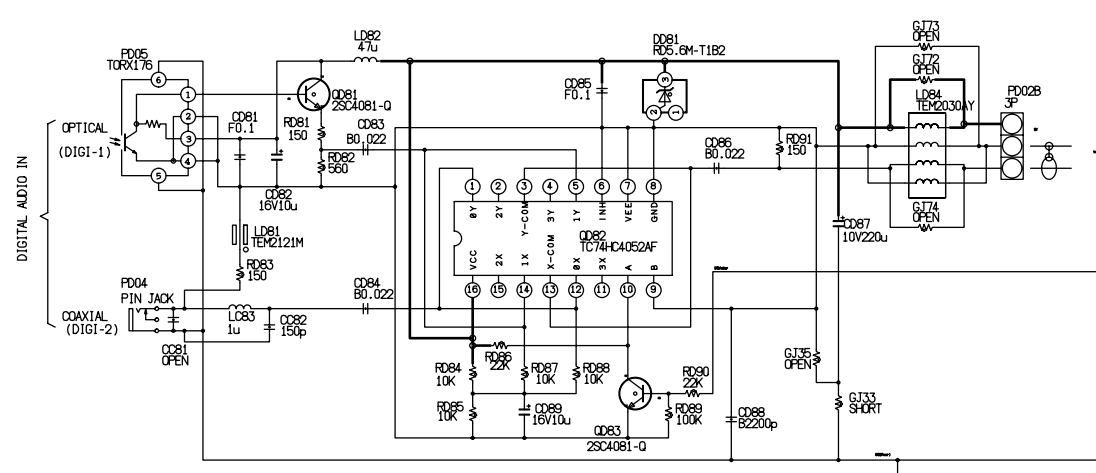
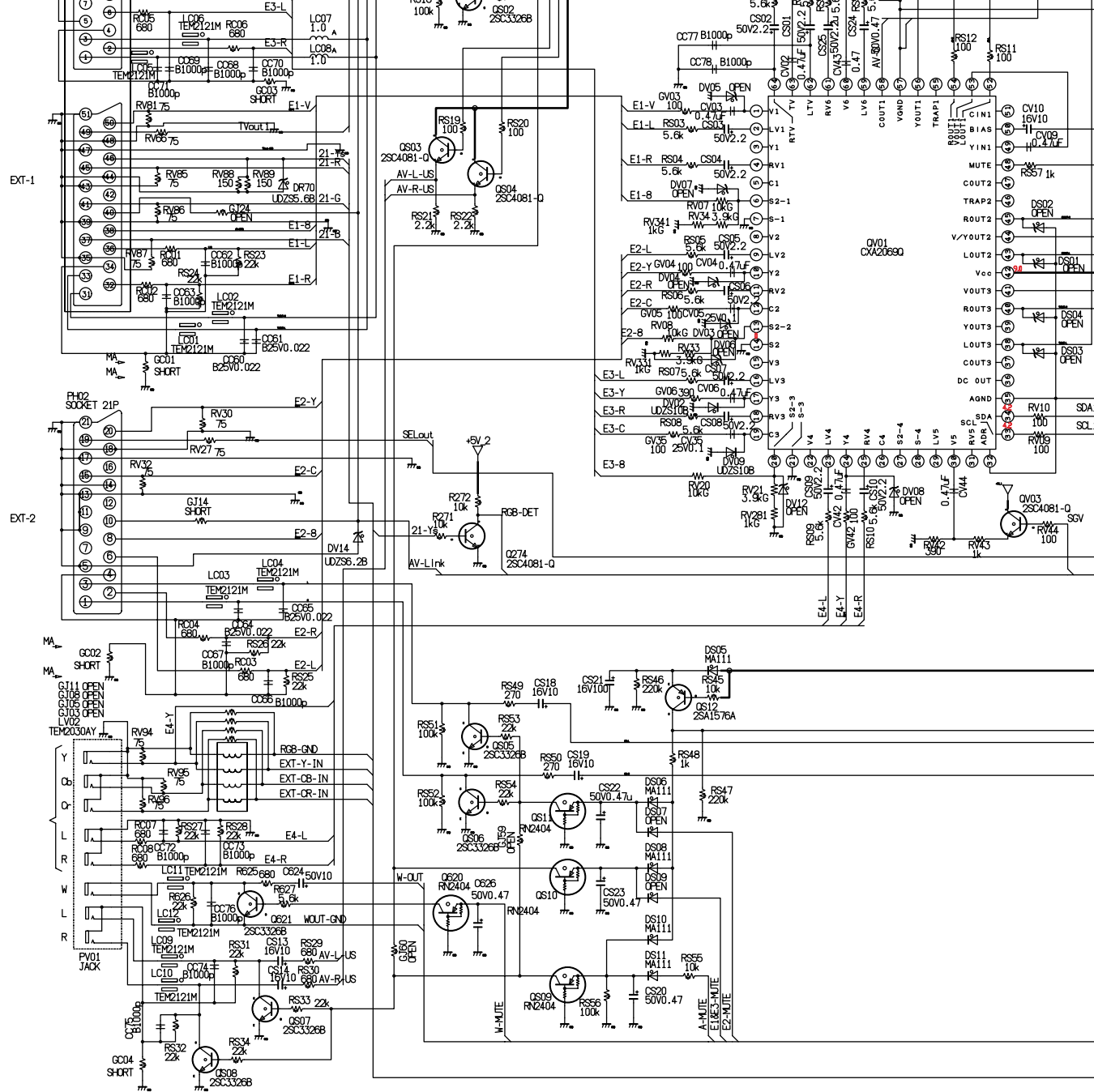
TEXT (EPG)

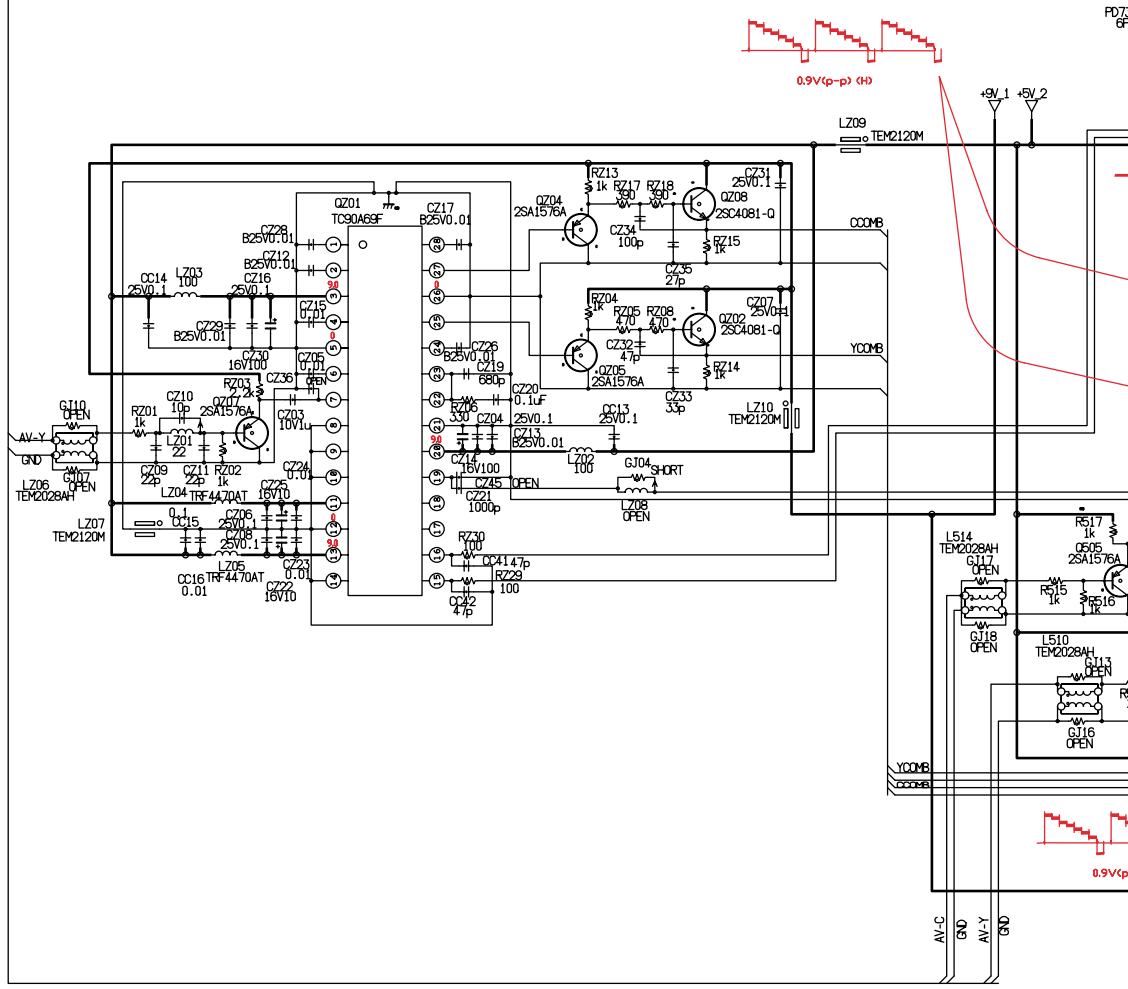
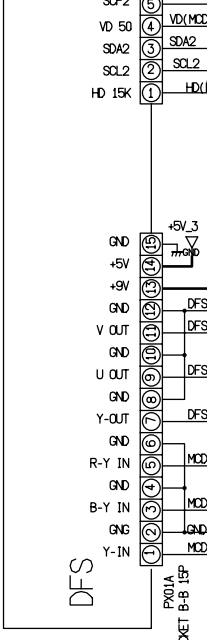
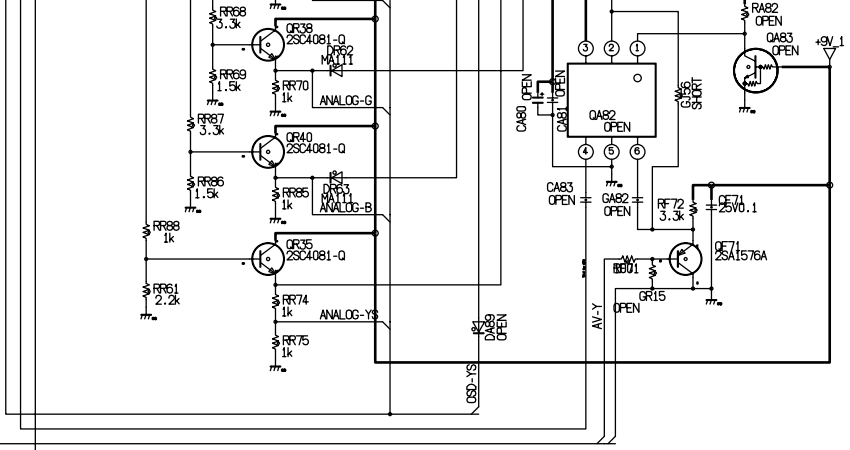
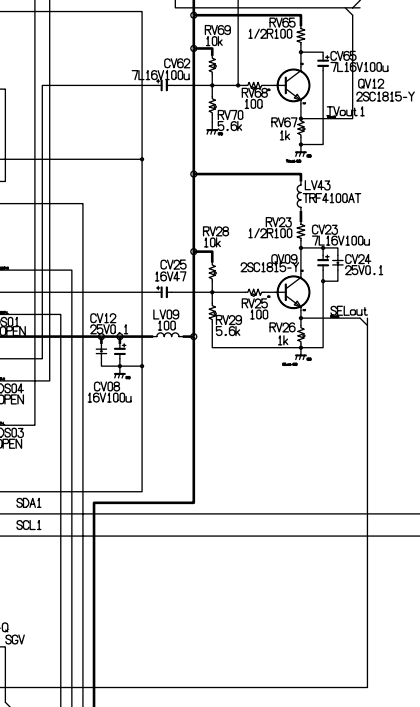
TEXT-SDA

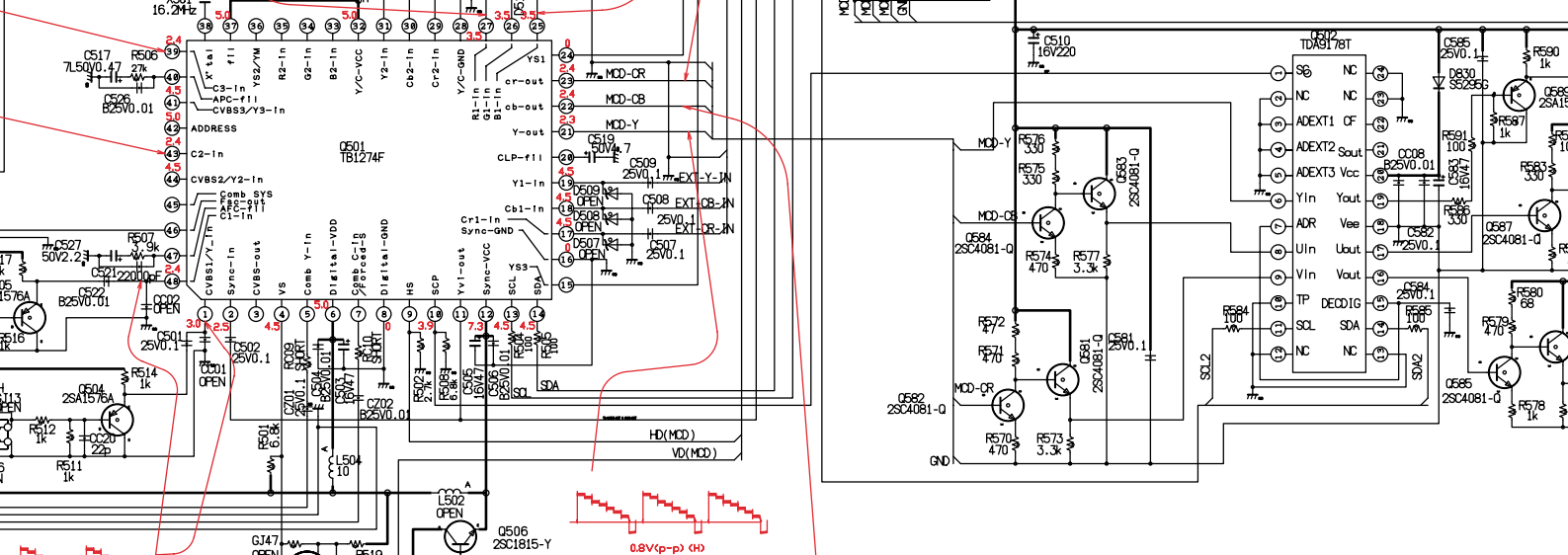
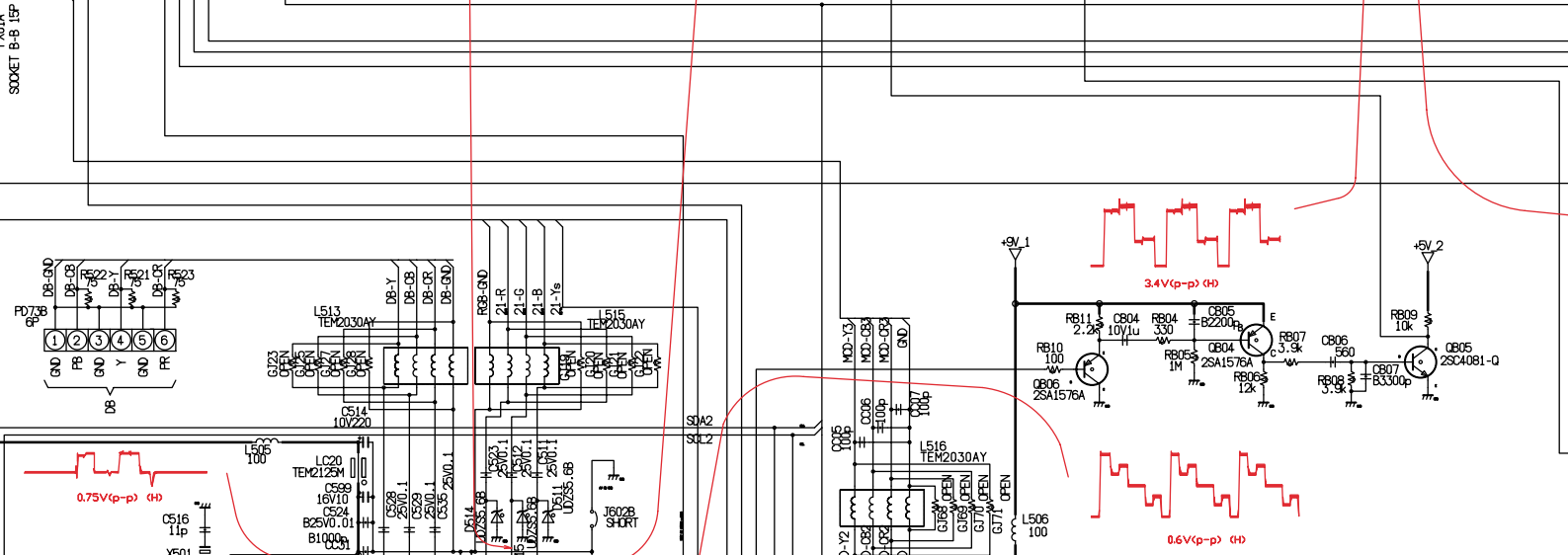
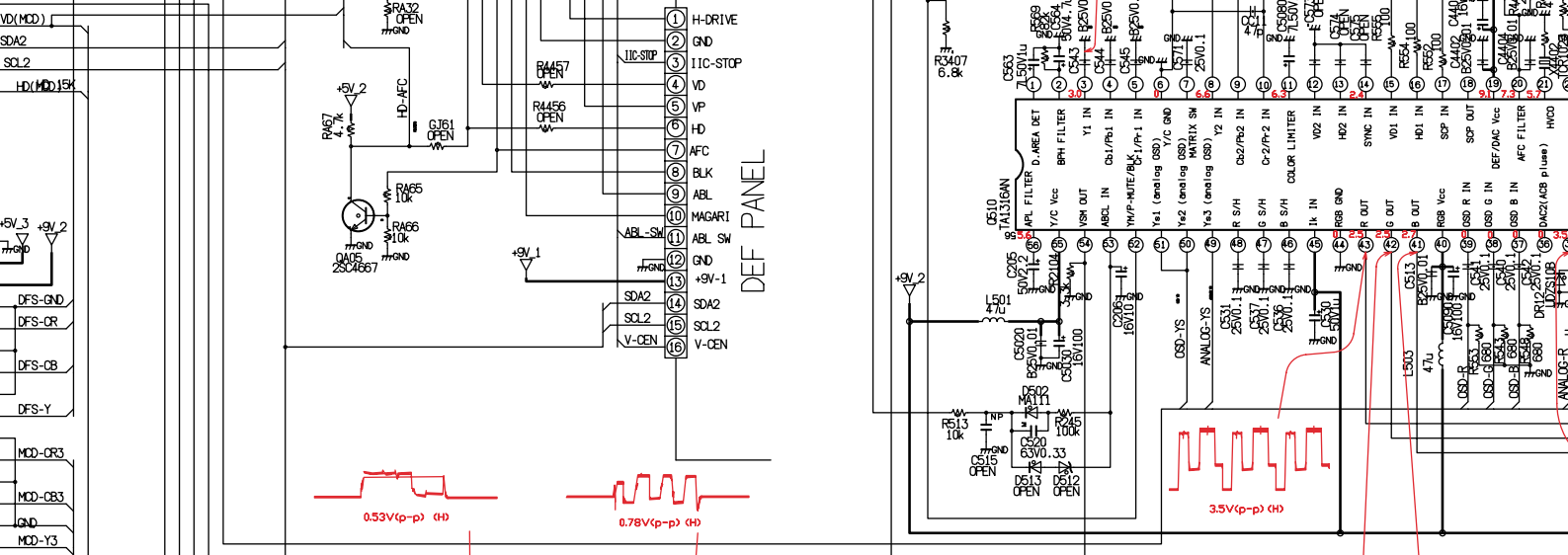
PX20A SOCKET B
GND
VOUT
BLK
VOUT
100%
B MASK
GND
SP2
VD 50











1

2

3

4

U105 DFS Ver4.01Dual SDRAM

A

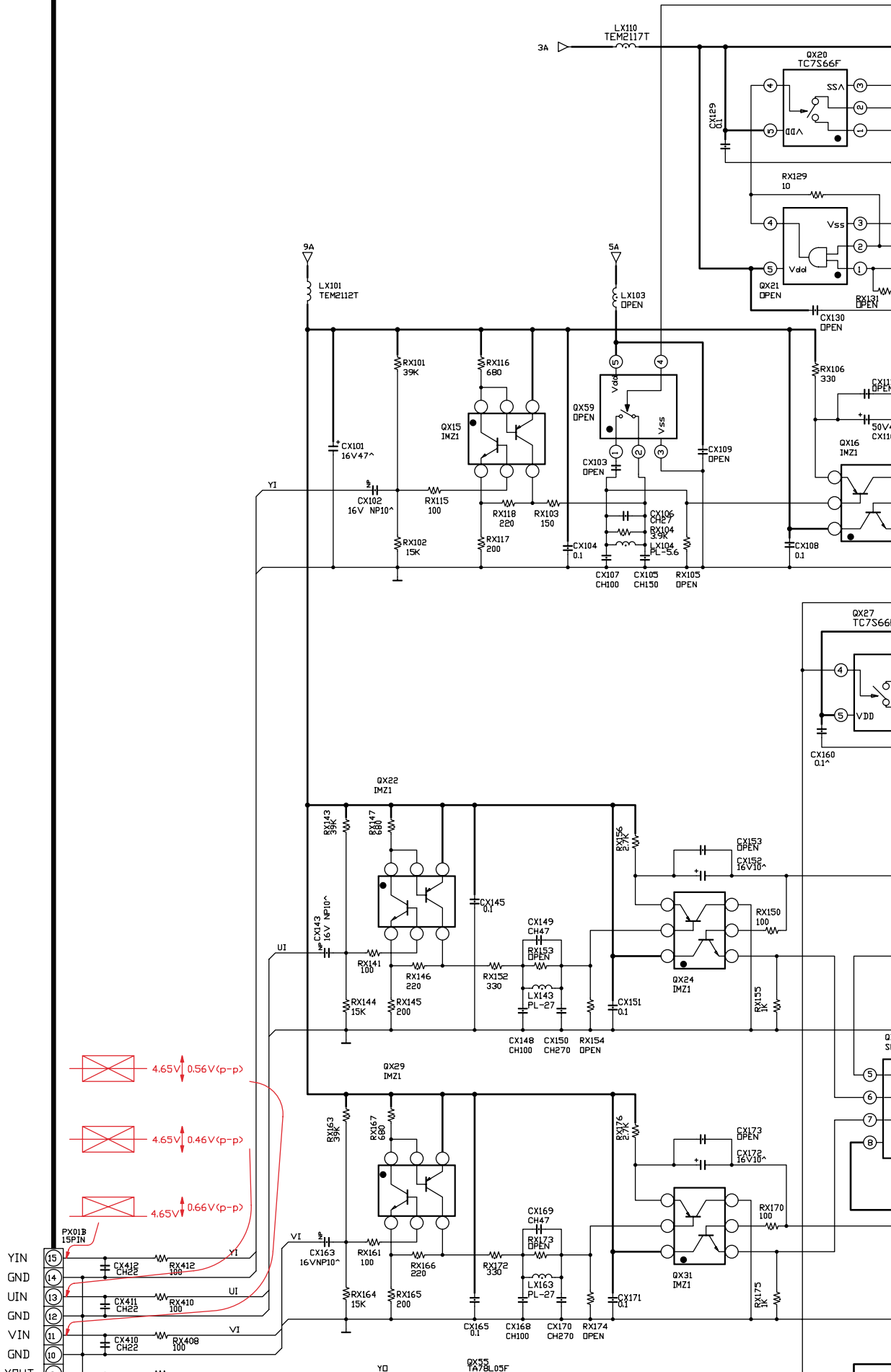
B

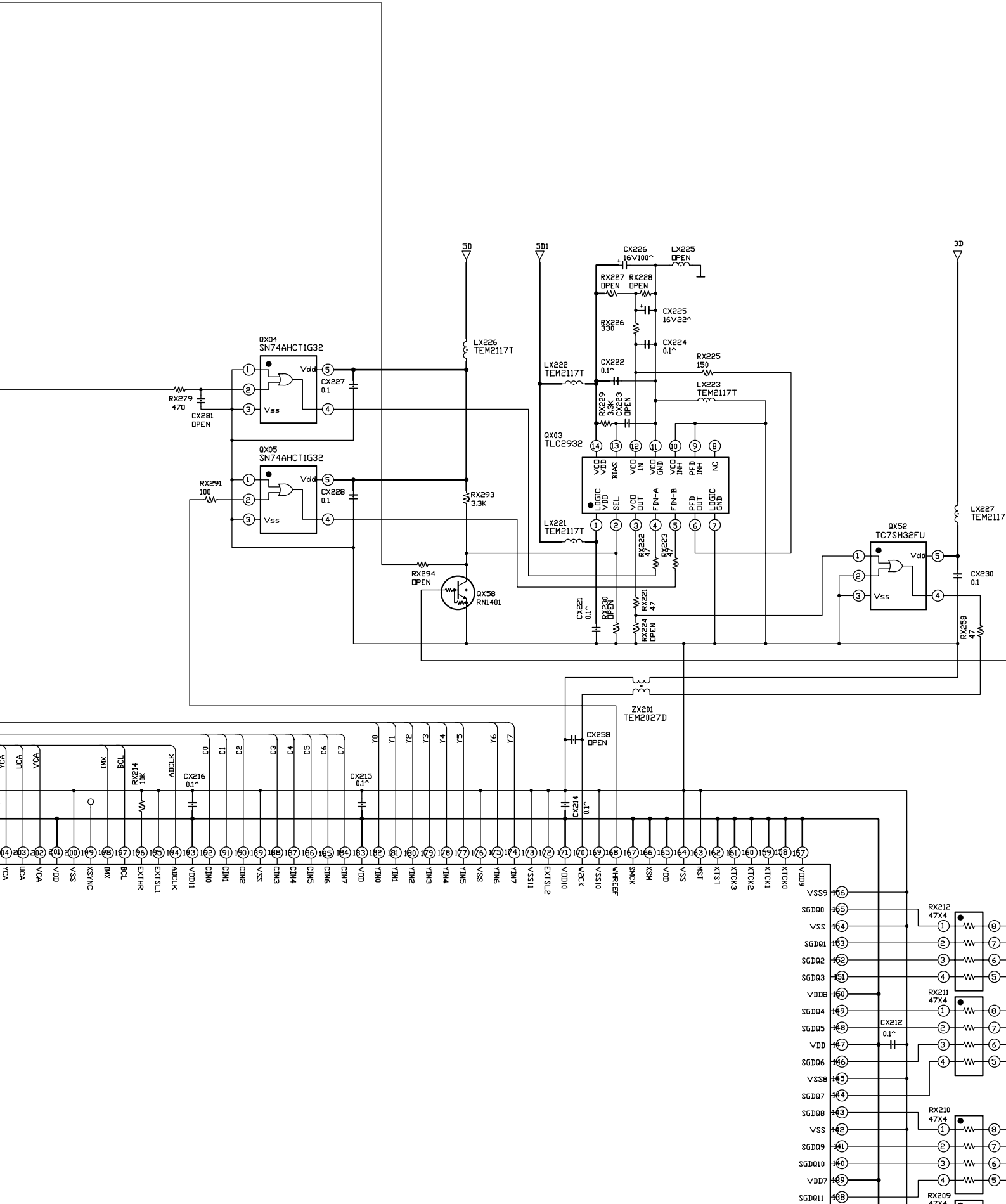
C

D

E

F





A

B

C

D

E

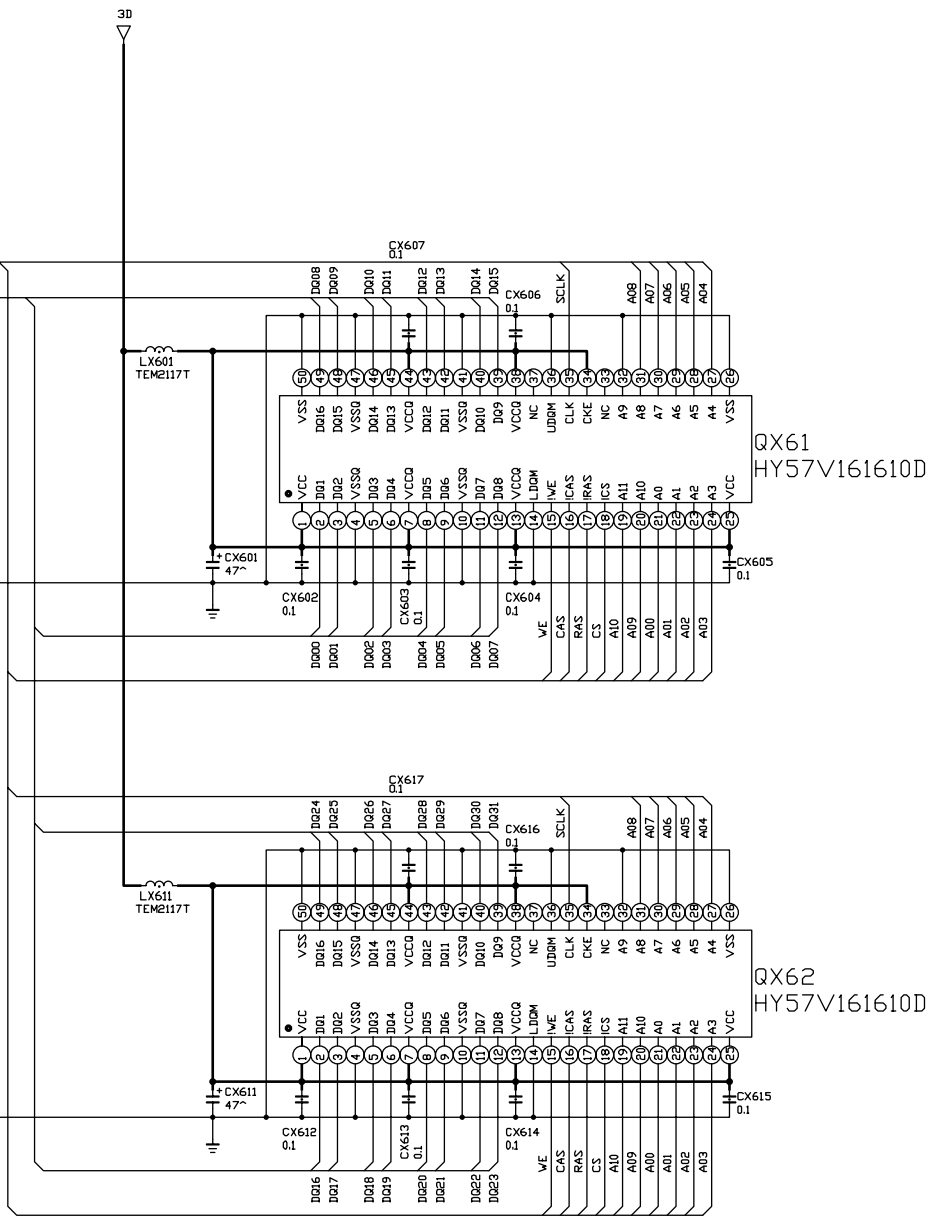
F

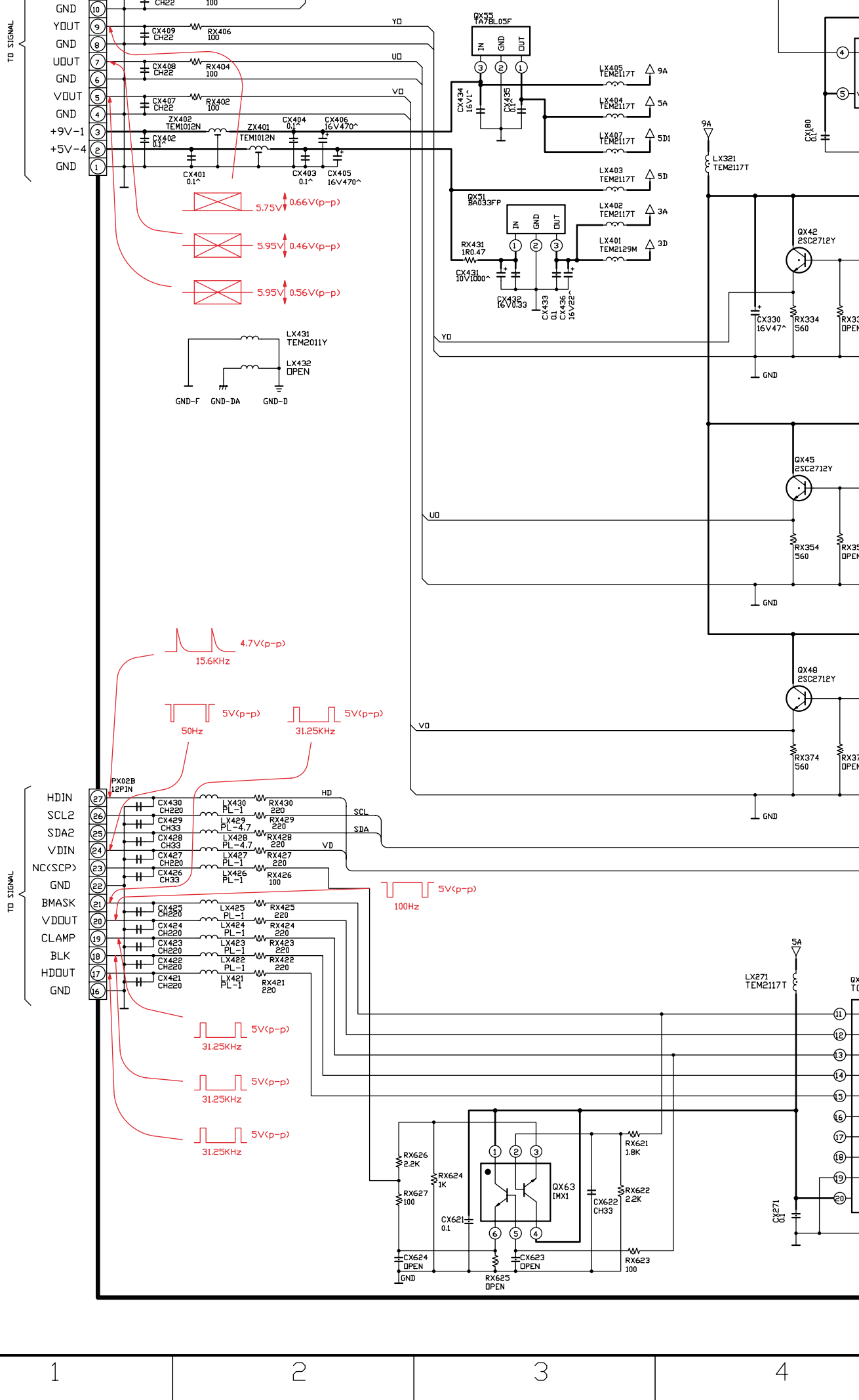
227
M2117T

230

- ⑧ DQ00
- ⑦ DQ01
- ⑥ DQ02
- ⑤ DQ03
- ④ DQ04
- ③ DQ05
- ② DQ06
- ① DQ07

- ⑧ DQ08
- ⑦ DQ09
- ⑥ DQ10
- ⑤ DQ11





G

H

I

J

K

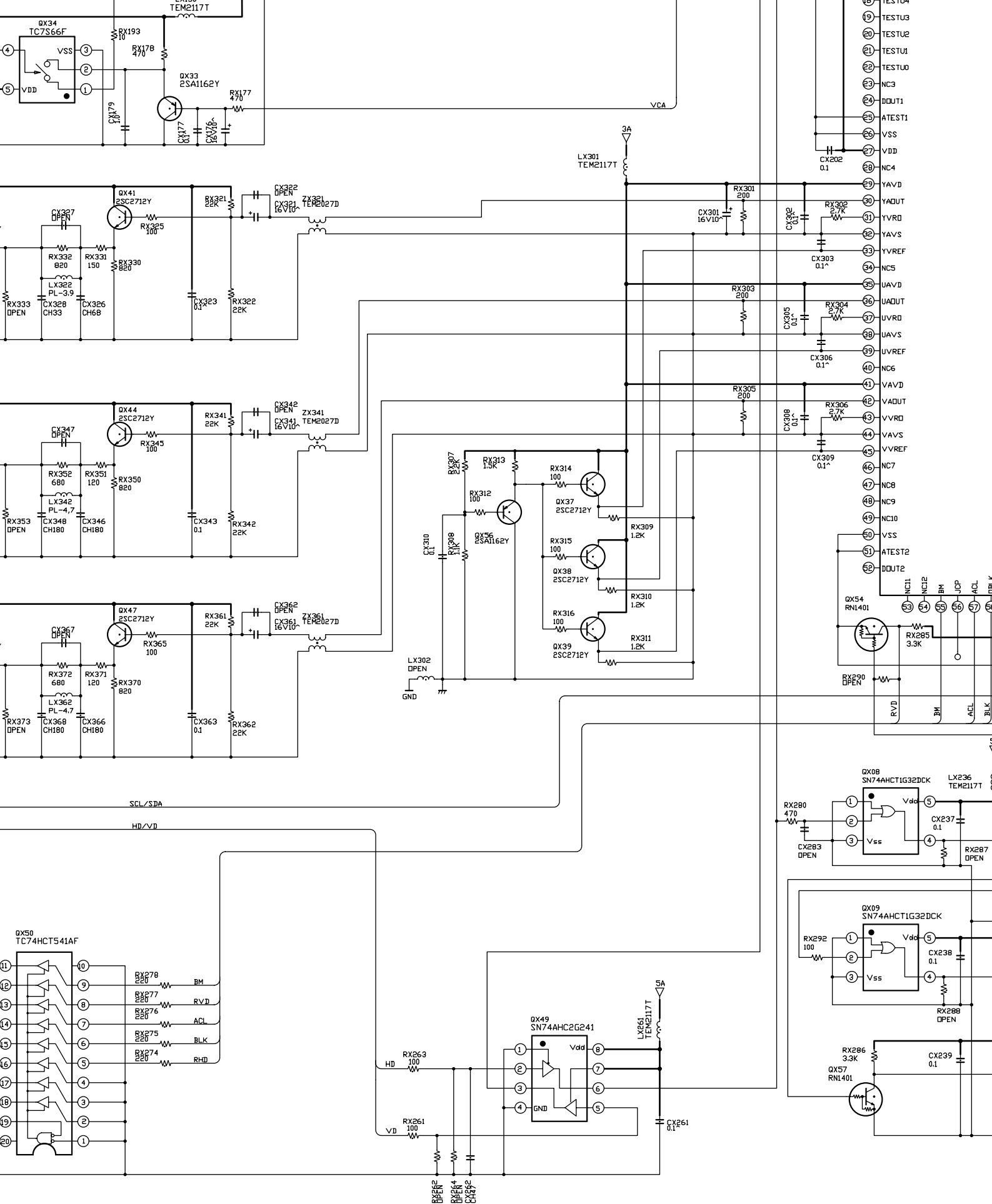
L

1

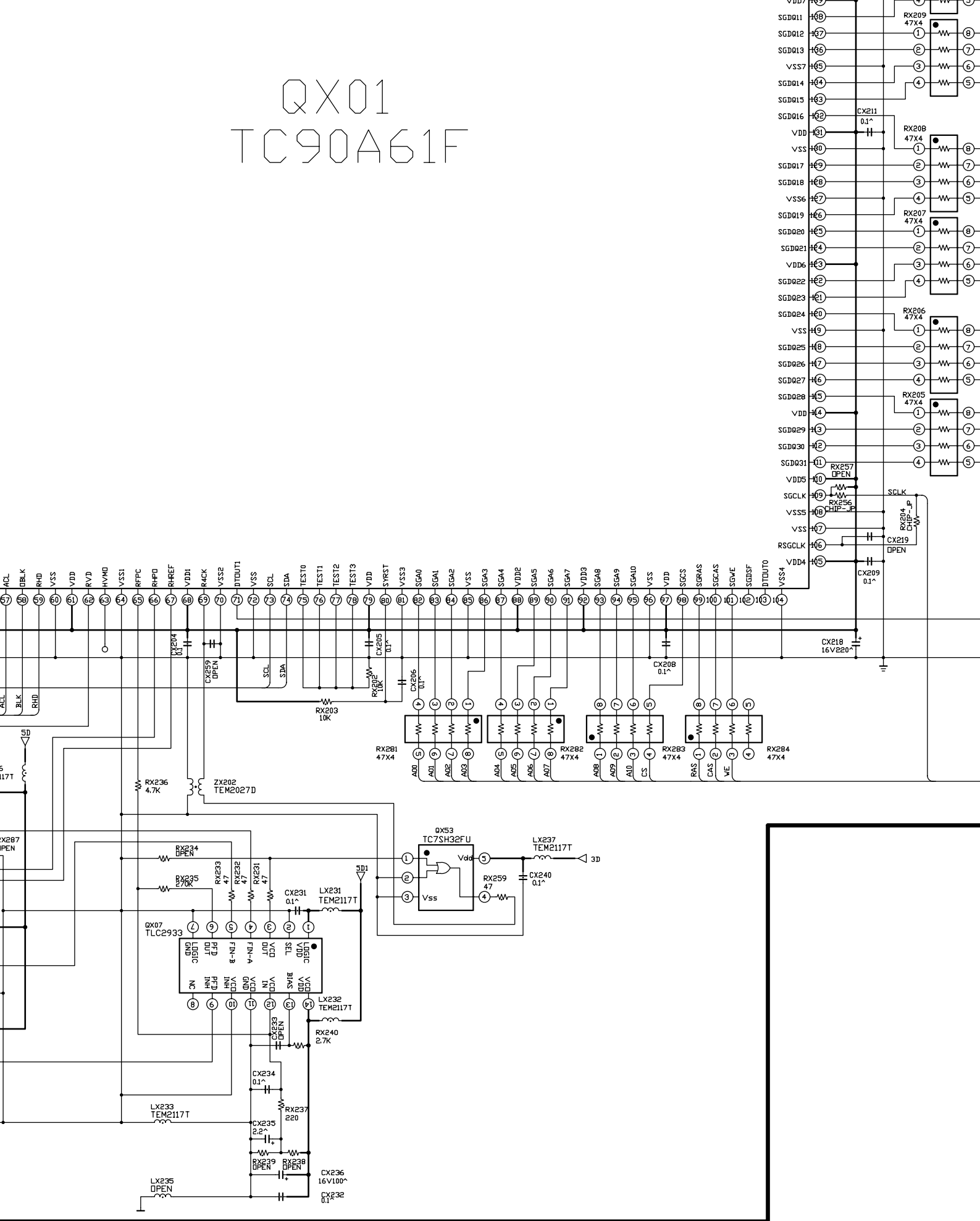
2

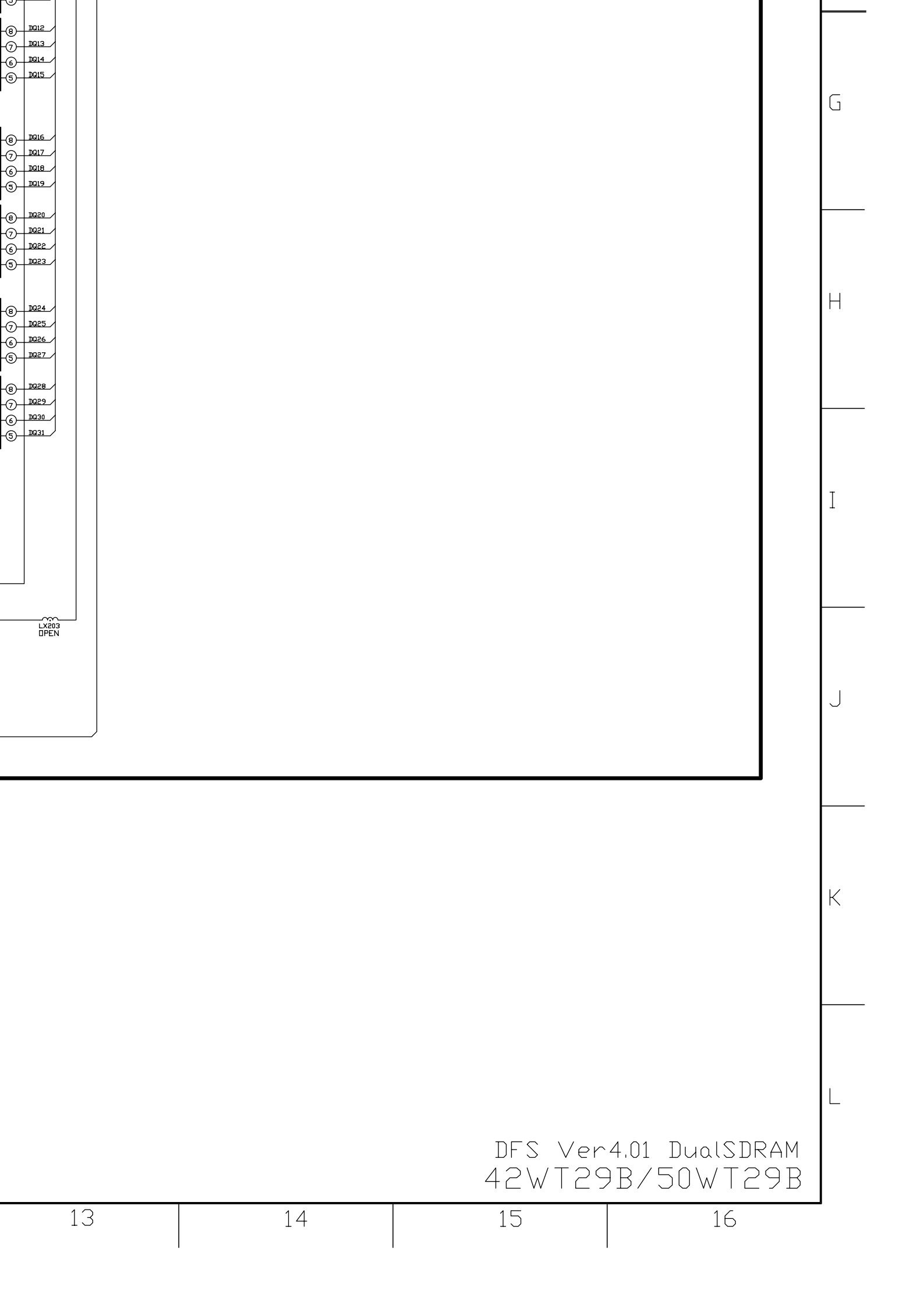
3

4



QX01 TC90A61F





- ⑧ DG12
- ⑦ DG13
- ⑥ DG14
- ⑤ DG15

- ⑧ DG16
- ⑦ DG17
- ⑥ DG18
- ⑤ DG19

- ⑧ DG20
- ⑦ DG21
- ⑥ DG22
- ⑤ DG23

- ⑧ DG24
- ⑦ DG25
- ⑥ DG26
- ⑤ DG27

- ⑧ DG28
- ⑦ DG29
- ⑥ DG30
- ⑤ DG31

LX203
OPEN

G

H

I

J

K

L

DFS Ver4.01 DualSDRAM
42WT29B/50WT29B

13

14

15

16